

from 250 cm. to 475 cm. widths



Rear view

Side view

Front view

**FLEXFIX** frame screens are designed for rental and staging purposes. It features easy interlocking joints that lock the frame parts during setup and the cloth has press studs along the border, that allow to quickly mount the projection surface onto the frame.

The frame is specifically made in an arc shape in order to guarantee a perfect tension of the projection surface on all the four sides.

The FLEXFIX screen is made all of high quality lightweight aluminum alloy and it is available in 16:9 and 16:10 formats up to a maximum viewing size of 475x297 cm. with a range of **seamless** projection surfaces. The FlexFix offers the possibility to add frame sections and different projection cloths in order to obtain different screen's sizes.

Moreover, sturdy T-shape interlocking floor stands and a softbag are included.

*Optional:* - Hard wheeled carrying case  
- Smart and ruggedized trolley bag

Available in 16:9 and 16:10 formats, **standard measures only**

Softbag (included)



Dimension 120x38x30 cm (WxDxH)

Projection surface bag (included)



Rugged polyethylene wheeled carrying case (optional)



Dimension 132x38x38 cm (WxDxH)

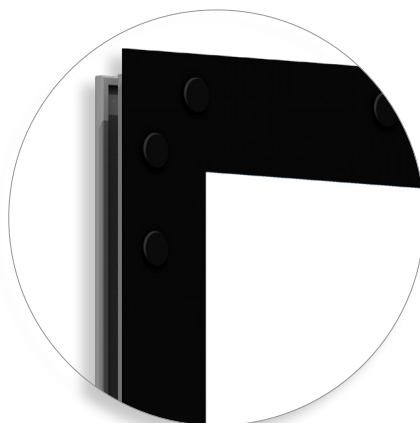
Elegant trolley bag



Dimension 147x38x30 cm (WxDxH)



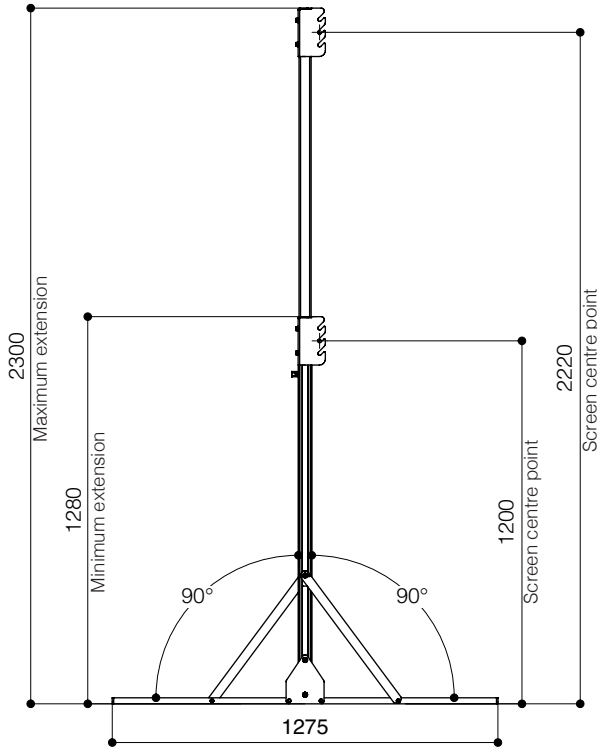
Detail of floor stand



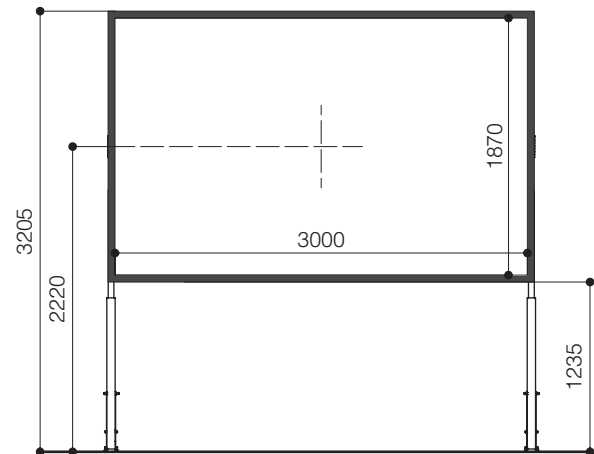
Perimetral black border  
5 cm. wide on each side



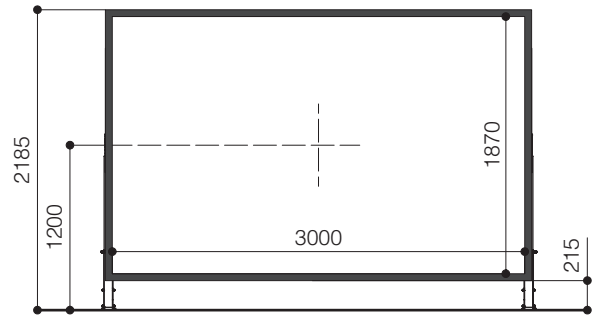
### OVERALL DIMENSIONS OPEN FLOOR STAND



### EXAMPLE FLEXFIX 300x187 cm. (floor stands in maximum extension)

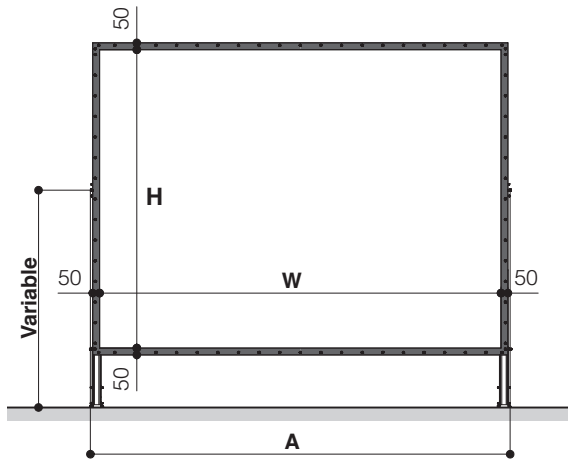


### EXAMPLE FLEXFIX 300x187 cm. (floor stands in minimum extension)



### TECHNICAL SPECIFICATIONS

- Very easy and quick to set up
- Lightweight aluminum alloy profile with snap joints
- Eyebolts for ceiling mounting included (3 pcs.)
- Frame dimensions 57x24 mm. (WxD)
- Maximum total extension of the floor stands: 230 cm.
- The floor stands have fixing brackets that allow to slide and fix screen's frame at the desired height.
- **Interlocking sturdy height adjustable floor stands included**
- **Softbag included**
- Rugged polyethylene wheeled carrying case (*optional*)
- Smart and ruggedized trolley bag (*optional*)
- Truss mounting brackets - 2 units per screen needed (*optional*)



The measures in the drawings are expressed in millimetres.

### DIMENSIONS measures in cm

16:10 Ratio Viewing area (WxH)	16:9 Ratio Viewing area (WxH)	Overall dimensions A	Approx. net weight (Kg)
250 x 156	250 x 140	260	20
300 x 187	300 x 169	310	23
350 x 219	350 x 197	360	24
400 x 250	400 x 225	410	27
475 x 297	475 x 267	485	31

### PROJECTION CLOTHS

Front projection surfaces	Gain	Rear projection surfaces	Gain
HD Performer	1.3	FlexFix Dual	0.8
Green Screen		Rear Lux R114	2.5

Warranty: 24 months

