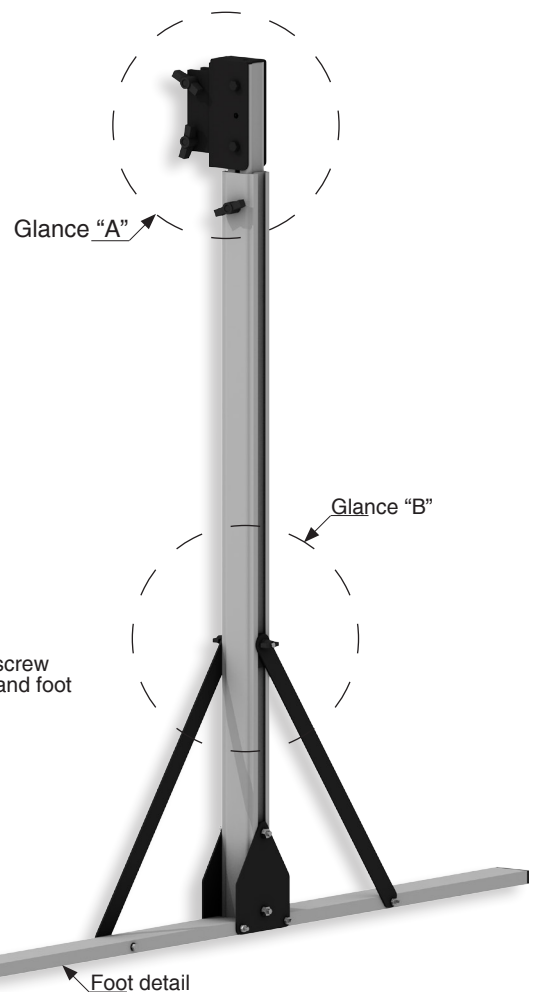
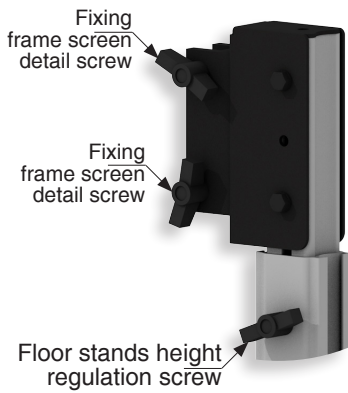


The floorstands suitable for Flat Elastic, Flat Press and Canaletto Elastic screens are made of lightweight aluminum alloy. They are very reliable and strong to ensure a very stable positioning of the screen on the floor. These floorstands are extendable from a minimum of 120 cm. to a maximum of 214 cm. and can be adjusted at different heights. After use, they can be easily closed resulting in very compact dimensions (130x13x10 cm. - HxWxD).

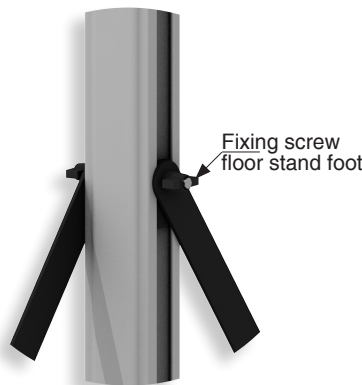
## FLOOR STANDS DETAIL



**GLANCE "A"**  
Fixing brackets detail - Rear View



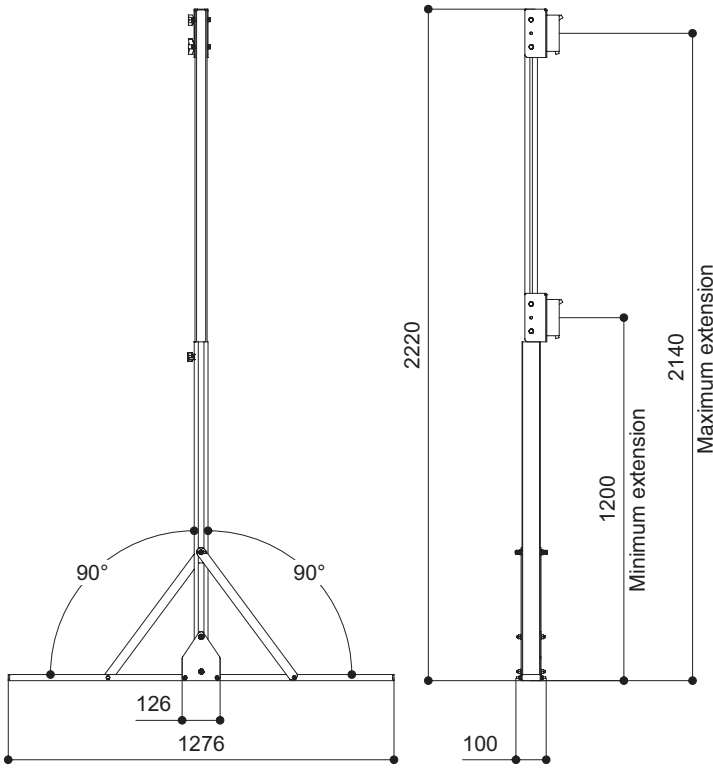
**GLANCE "B"**  
Fixing screws floor stand foot



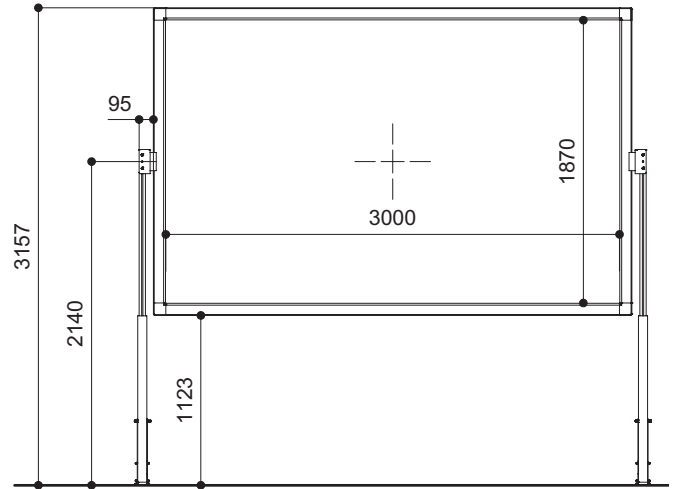
**Warranty:** 24 months



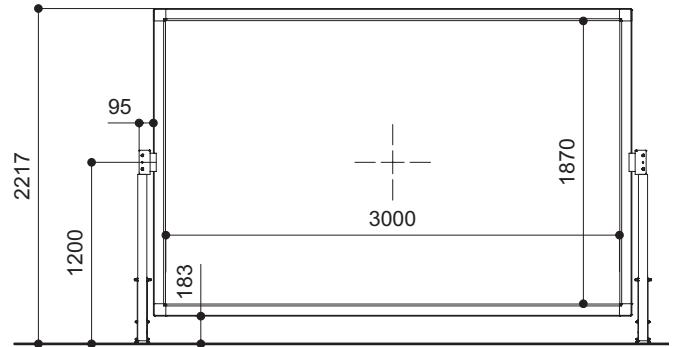
**OVERALL DIMENSION OPEN FLOOR STAND**



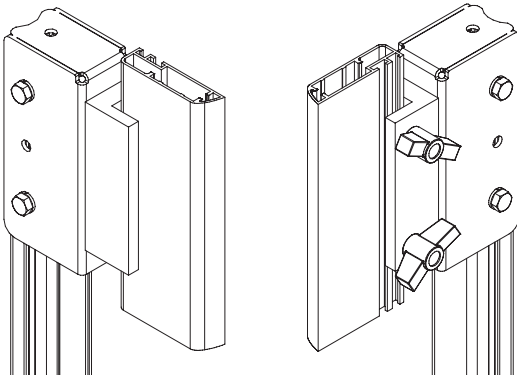
**EXAMPLE - FLAT ELASTIC 300x187cm (floor stands in maximum extension)**



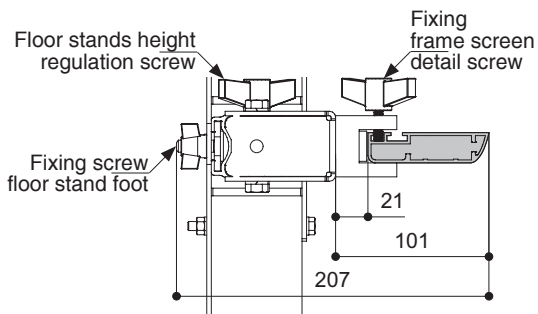
**EXAMPLE - FLAT ELASTIC 300x187cm (floor stands in minimum extension)**



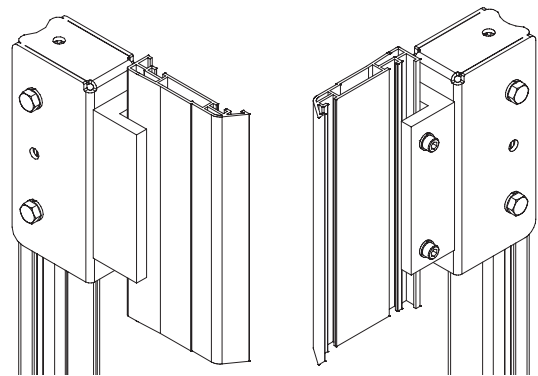
**FIXING BRACKET DETAIL FOR FLAT ELASTIC AND FLAT PRESS**



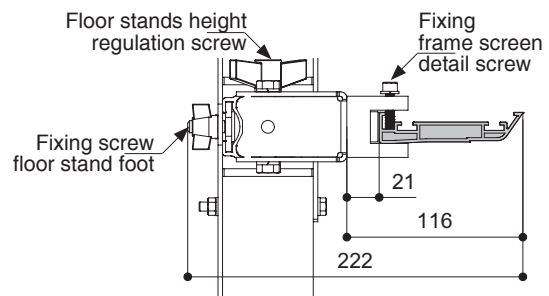
**UPPER VIEW**



**FIXING BRACKET DETAIL FOR CANALETTO ELASTIC**



**UPPER VIEW**



The measures in the drawings are expressed in millimetres.

