



GLANCE OF THE BEZEL
Covered with velvet
only 14 mm

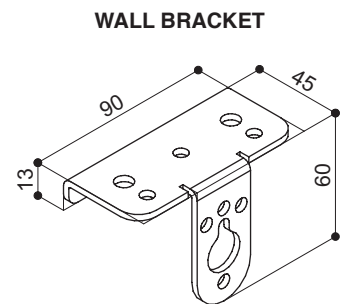
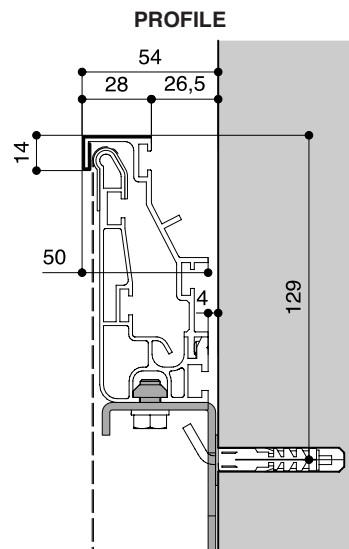
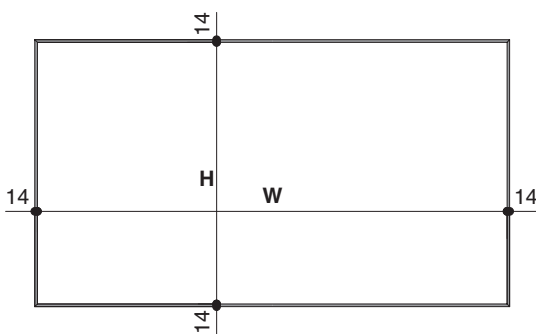
TECHNICAL SPECIFICATIONS

LEONARDO RF14 is a ScreenInt® innovative frame screen. The unique feature of this product is an **extremely thin bezel** covered with velvet that aims to satisfy the most demanding requirements in terms of design and aesthetics.

This bezel will be all around only 14 mm. high and even with such a small bezel, the projection surface will be fixed with the ScreenInt® exclusive elastic system, which guarantees a perfect flatness of the cloth.

- Frame dimensions: 14x50 mm. (WxD)
- Raw aluminium frame covered with black velvet
- **No visible brackets** are included in order to fix the screen to the wall
- Projection surface anchoring system with galvanized rods and rubber bands
- Flame-retardant projection surfaces

Available in 4:3, 16:10, 16:9, 21:9 and 2,39:1 ratios or **bespoke sizes**.



DIMENSIONS measures in cm

Ratio 4:3 Dimensions (WxH)	Ratio 16:10 Dimensions (WxH)	Ratio 16:9 Dimensions (WxH)	Ratio 21:9 Dimensions (WxH)	Ratio 2,39:1 Dimensions (WxH)	Approx. net weight (Kg)
160 x 120	160 x 100	160 x 90	160 x 69	160 x 67	16
180 x 135	180 x 112	180 x 101	180 x 77	180 x 75	18
200 x 150	200 x 125	200 x 112	200 x 86	200 x 84	19
220 x 165	220 x 137	220 x 124	220 x 94	220 x 92	21
250 x 190	250 x 156	250 x 140	250 x 107	250 x 105	24
300 x 225	300 x 187	300 x 169	300 x 128	300 x 125	28
350 x 265	350 x 219	350 x 197	350 x 150	350 x 146	33
400 x 300	400 x 250	400 x 225	400 x 171	400 x 167	37

PROJECTION SURFACES

Front projection surfaces	Gain
White	1.2
HD Performer	1.3
Pure KS	1.1
Pure Matte KS	1.1
Microperforated	1.1
Lumi Grey Microperforated	0.8
Lumi Grey	0.8
Bright Contrast 3D 0.8*	0.8
Silver Blast*	1.3

*Limited in height

Warranty: 24 months

