



TIZIANO HOME CINEMA has been developed with a stunning Italian design which makes it the ideal solution for high-end installations both for residential and professional environments.

If you are looking for a **refined Italian design** and excellent reliability the Tiziano is the perfect solution. Extremely easy install, invisible mounting brackets and power cable are essential features of this exclusive product.

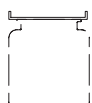
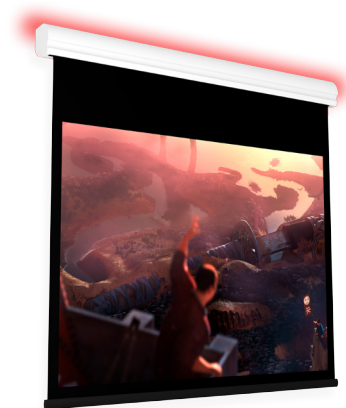
The aluminium housing has been designed with elegance in mind and is available in a wide range of different colours, enabling you to customise the finished screen to meet your customers' requirements.

Tiziano home cinema is supplied with black side borders and a 30 cm. black top drop.

Available in 4:3, 16:9 and 16:10 formats or bespoke sizes.

Led lights for the housing

Available colours: white, blue, green, red
(optional)



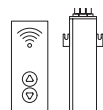
Ceiling mounting brackets



Wall mounting brackets



n.1 On/off switcher



Kit RF Remote control with external receiver



Interface switch 12 volt



Low voltage contact interface



Nm 9 Rpm 26

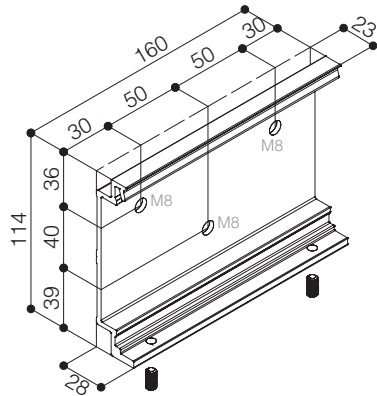
Faster and quiet motor

INCLUDED

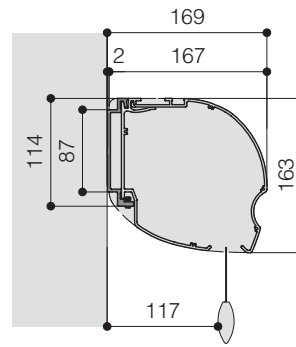
OPTIONAL pag 62-63



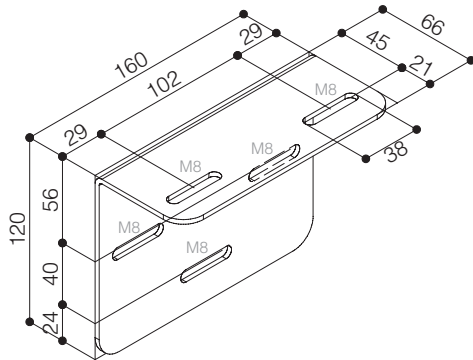
WALL MOUNTING BRACKET



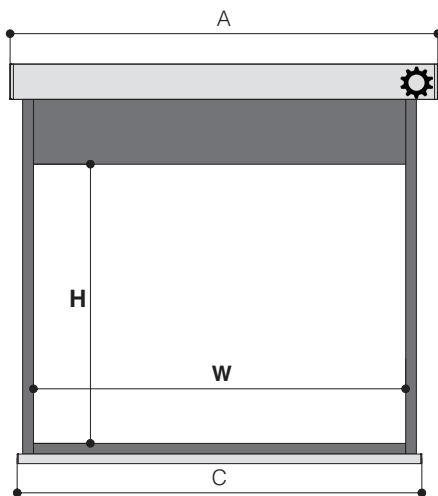
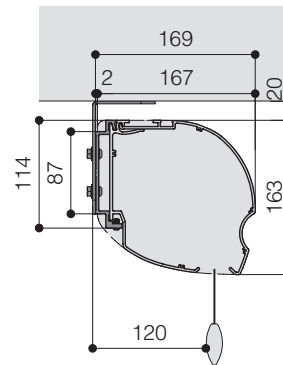
WALL MOUNTING



CEILING MOUNTING BRACKET



CEILING MOUNTING



TECHNICAL SPECIFICATIONS

- Silent motor system provides a smooth and quiet operation
 - Power: **10 Nm**
 - Speed: **17 rpm**
 - Power supply: **230V / 50 Hz**
 - Consumption: **156 W**
 - Certification: **IMQ**
- Totally manufactured with aluminium housing and steel side plates
- Housing dimensions: 167x163 mm. (DxH)
- Housing painted with white epoxy powders (RAL 9016)
- Wall mounting brackets and switcher on/off included
- Ceiling mounting brackets included
- Flame - retardant projection surfaces - classification M1, M2 and B1
- Cloth drops on the front side of the housing at 12,5 cm. from the wall
- Side black borders of 5 cm., bottom black border of 5 cm., black top drop of 30 cm. and black dowel bar: height 44 mm. - depth 17 mm.
- Screen housing available in different colours (*optional*)

The measures in the drawings are expressed in millimetres.

DIMENSIONS measures in cm

4:3 Ratio Viewing area (WxH)	16:9 Ratio Viewing area (WxH)	16:10 Ratio Viewing area (WxH)	Overall dimensions A - C	Approx. net weight (Kg)
160 x 120	160 x 100	160 x 90	181 - 174	18
180 x 135	180 x 112	180 x 101	201 - 194	20
200 x 150	200 x 125	200 x 112	221 - 214	21
220 x 165	220 x 137	220 x 124	241 - 234	23
250 x 190	250 x 156	250 x 140	271 - 264	25
300 x 225	300 x 187	300 x 169	321 - 314	29
350 x 265	350 x 219	350 x 197	371 - 364	33
400 x 300	400 x 250	400 x 225	421 - 414	37

PROJECTION CLOTHS

Front projection surfaces	Gain	
White	1.2	
Matte White	1.2	
Lumi Grey	0.8	
Microperforated	1.1	
Lumi Grey Microperforated	0.8	
Cinesound*	0.7	
Ultra HD*	1.2	
Bright Contrast 3D 0.8*	0.8	

*Limited in height

Warranty: 5 years on the motor - 24 months on the other components

