



RF Remote control

This **SCREEN WINCH SYSTEM** is a particular lift that enables to lower until 7 mt. electrical screens from 300 cm. to 450 cm. of width.

The Screen Winch is provided with an RF remote control. Furthermore, the motor offers the possibility to be **controlled by three wired low voltage contact closures**.

These contact closures allow to control the motor via wires in the two positions: closed, and opened. It is supplied with six brackets: three for fixing the winch to the ceiling and three for mounting the screen to the central beam.

A cable coiler, to be fixed to the ceiling behind the screen winch, is included; its purpose is to supply power to the electrical projection screen.

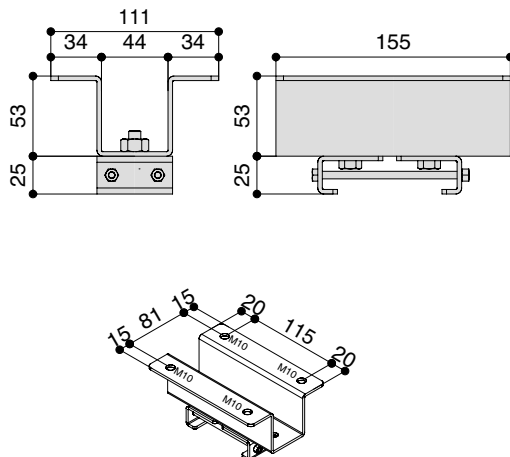
A **SAFETY DEVICE** is built-in, in order to offer maximum security in case of any failure of the mechanism.

Optional: Sloping ceiling brackets

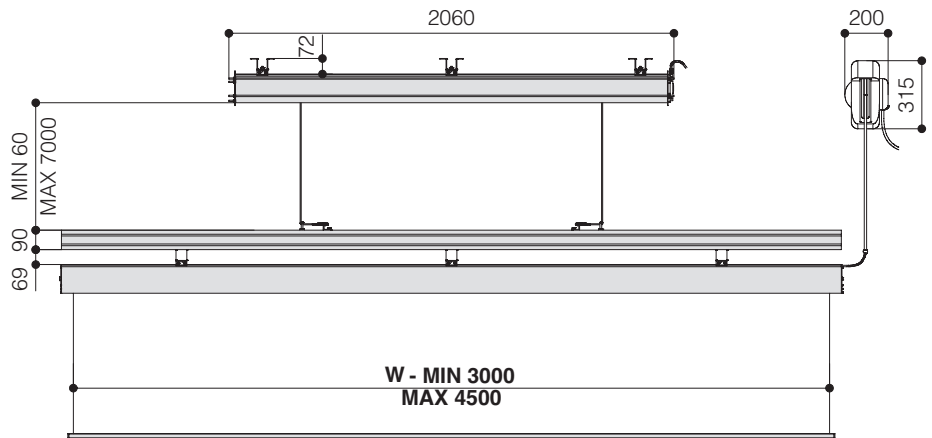
TECHNICAL SPECIFICATIONS

- Motor specifications:
 - Power: **80 Nm**
 - Speed: **12 rpm**
 - Power supply: **230V / 50 Hz**
 - Consumption: **360 W**
 - Certification: **IMQ**
- Safety device and cable coiler included
- Roll down speed of Screen Winch System: 19 sec./metre
- Two strong steel cables diametre: 3 mm. – Breaking test load: 350 kg. for each cable
- Screen Winch housing dimensions: 2060x200x170 mm. (WxDxH)
- Beam dimensions: 45x90 mm. (DxH) – Length of the beam is approximately the same of the length of the projection screen housing
- Net weight of the Screen Winch System: kg. 40
- Maximum load that can be hung to the beam: kg. 60
- Maximum roll down stroke: 7mt.
- On the Screen Winch can only be mounted MAJOR screens from 300 cm. up to 450 cm. of width.
- Screen Winch System plus screen housing in closed position: minimum height 52 cm.

CEILING MOUNTING BRACKET



SCREEN WINCH SYSTEM FRONT VIEW



The measures in the drawings are expressed in millimetres.

Warranty: 5 years on the motor - 24 months on the other components

ENGINEERED LIKE NO OTHER SCREEN IN THE WORLD
www.screenint.com

