



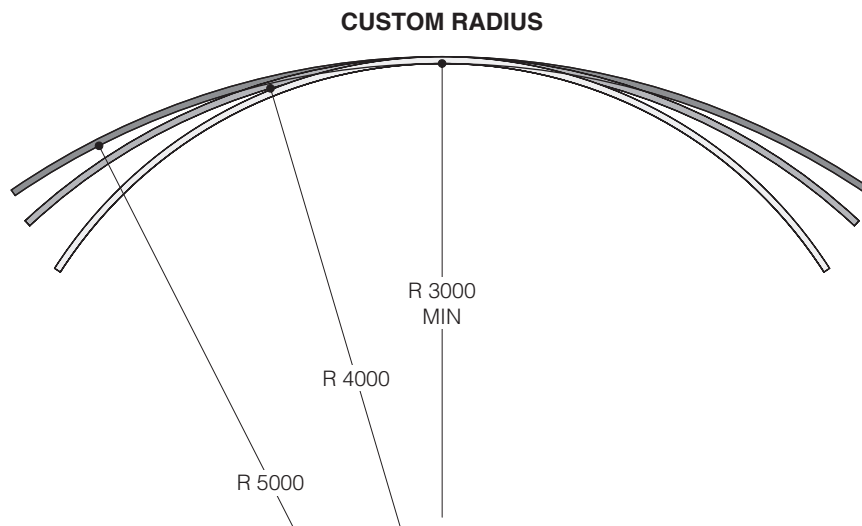
**ARC WRAP AROUND** is an innovative brand new frame structure developed in order to obtain **curved** screens up till 180°.

This screen is suitable to be used both with front projection surfaces and with rear projection fabrics.

Arc is an excellent solution for **simulation rooms** like for military, defense or medical purposes; for **leisure** and **theme parks** or **museums** where the spectator has to be completely involved inside the projection.

This product is indicated in all **edge-blending** applications.

*Available in bespoke sizes and bespoke radius.*



**Warranty:** 24 months

**ENGINEERED LIKE NO OTHER SCREEN IN THE WORLD**  
[www.screenint.com](http://www.screenint.com)

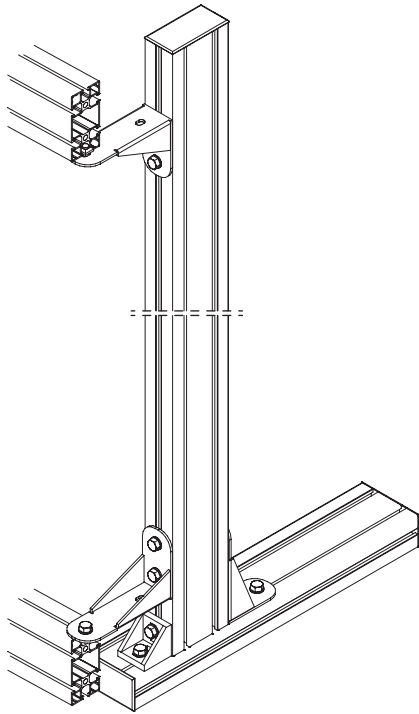




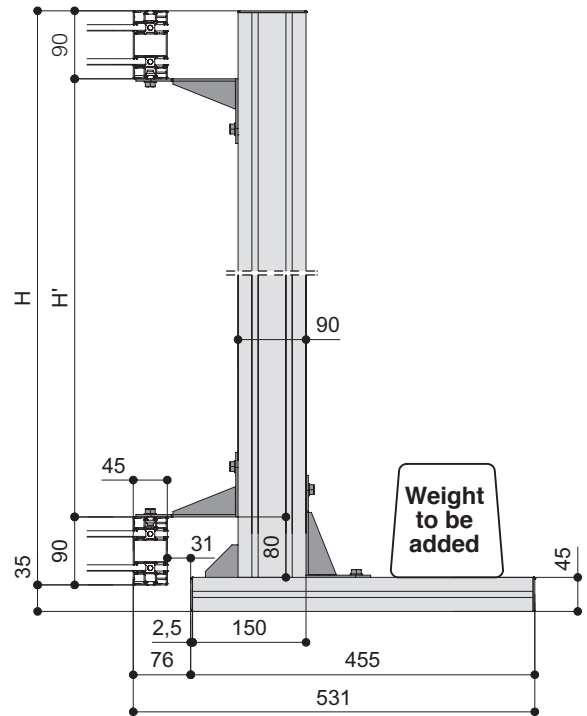
## TECHNICAL SPECIFICATIONS

- Smart design and easy to install
- Frame dimensions: 95x45 mm. (WxD)
- Aluminium frame with edges cut at 45°
- Minimum radius of curved screen is 3 mt.
- Black anodized aluminium frame
- **Projection surface wrap around** and anchoring system with galvanized rods and rubber bands
- Floorstands that offers both front and rear projection possibility
- Flame-retardant projection surfaces, classification M1, M2 and B1

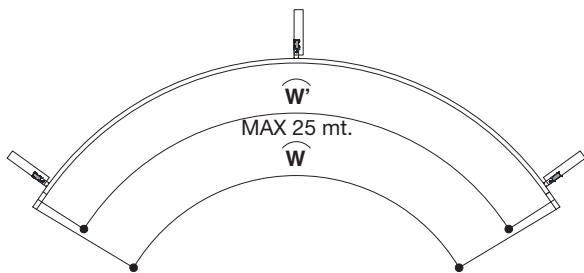
## FLOORSTANDS



UPPER VIEW



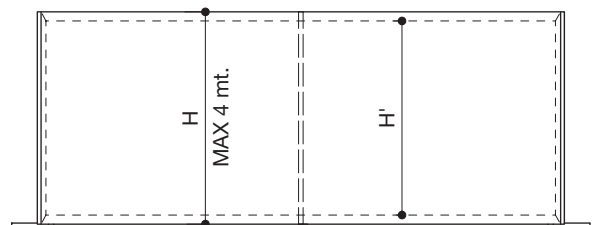
FRONT VIEW



Example of viewing area of customized screen

**FRONT PROJECTION** (WxH) 12 mt. x 2,25 mt.

**REAR PROJECTION** (W'xH') 11,82 mt. x 2,07 mt.



## PROJECTION CLOTHS

Front projection surfaces	Gain	Rear projection surfaces	Gain
White	1.2	Rear Plus	1.1
HD Performer	1.3	Rear Lux R114	2.5
Microholes	1.0	Front Rear	0.9
Lumi Grey	0.8		
Bright Contrast 3D 0.8*	0.8		
Ultra HD*	1.2		

\*Limited in height

Warranty: 24 months

ENGINEERED LIKE NO OTHER SCREEN IN THE WORLD  
www.screenint.com

