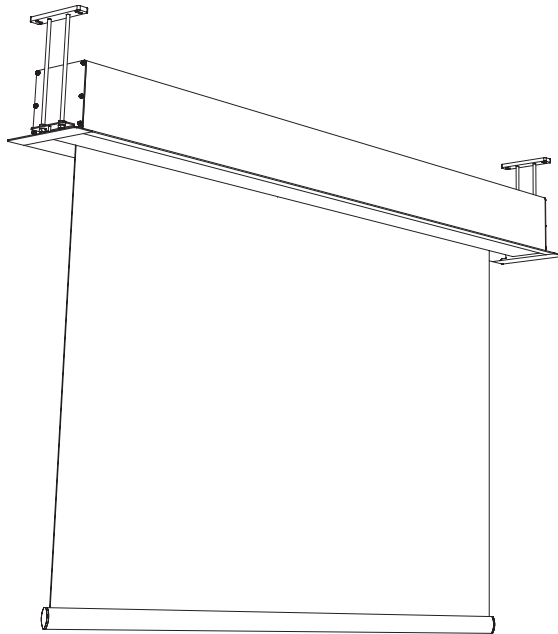


INSTALLATION AND MAINTENANCE MANUAL

MOTORIZED SCREEN

GIOTTO

Professional - Home Cinema - Tensioned



ORIGINAL INSTRUCTIONS IN ITALIAN LANGUAGE
Translation into English language

WARNINGS

Before installing the screen, please read the following instructions carefully. **WE WOULD RECOMMEND THAT THESE INSTRUCTIONS ARE STORED SAFELY FOR FUTURE REFERENCE.**



When opening the packaging of the screen, please **DO NOT USE CUTTERS** or **OTHER SHARP TOOLS** that can damage the screen inside. During opening the packaging and during installation, it is recommended to use work gloves.

Depending on the screen weight, it has to be handled by at least two or three persons taking care to the following ratio **KG/PERSON**: MALE 25 kg. – FEMALE 15 kg.

The manufacturer does not take responsibility for any damage to property or personal injury if the screen is used outside of recommended specifications or in case of incorrect/poor quality installation.

INDEX

In order to guarantee the best performances of your screen, please **READ CAREFULLY** this installation manual.

1.0 GENERAL INFORMATION

- 1.1 Projection screen description
- 1.2 Manufacturer's rights
- 1.3 Contents and map of this manual
- 1.4 Aim, contents and to whom it may concern this manual
- 1.5 Symbols legend
- 1.6 Technical assistance
- 1.7 Warranty – General information
- 1.8 Product identification labels
- 1.9 Correct use of the projection screen
- 1.10 Improper use of the projection screen

2.0 GENERAL DESCRIPTION OF THE PROJECTION SCREEN

- 2.1 General description
- 2.2 Dimensions of closed and open projection screen
- 2.3 Mechanical specifications
- 2.4 Motor specifications

3.0 SAFETY STANDARDS AND RESIDUAL RISKS

- 3.1 Safety standards
- 3.2 Residual risks
- 3.3 Noise generated by the projection screen

4.0 INSTALLATION

- 4.1 Packaging contents
- 4.2 Installation
- 4.3 Electrical connection

5.0 END STOP ADJUSTMENTS INSTRUCTIONS

6.0 OUT OF ORDER

- 6.1 Waste of projection screen

1.0 GENERAL INFORMATION

1.1 PROJECTION SCREEN DESCRIPTION

The GIOTTO screen, is a motorized screen for the videoprojection. Therefore it can be included in the definition of machinery, following the Directive 2006/42/CE (and modifications) and DIN 19045-2.

This installation manual, the conformity certification and the technical labels on the machine are conform to this directive.

1.2 MANUFACTURER'S RIGHTS

Copyright of this installation manual are exclusively of:

EUROSCREEN SRL

Via Stiria 45/16
33100 Udine - Italy

Tel. +39 0432 522755
Fax +39 0432 524000

info@screenint.com
www.screenint.com

1.3 CONTENTS AND MAP OF THIS MANUAL

This installation manual contains the description of “motorized screen” as it is manufactured by the manufacturer. This manual contains information about installation, use and maintenance of the screen.

It also contains the information about the technical features and safe use of the product.

The installation manual is composed from:

- 1.0 General information
- 2.0 Motorized screen description
- 3.0 Safety and residual risks
- 4.0 Installation
- 5.0 Out of order

1.4 **AIM, CONTENTS AND TO WHOM IT MAY CONCERN THIS MANUAL**

This installation manual is addressed to:

- end user of the product, owner, people in charge of the product;
- people in charge of disinstalling and moving;
- installers;
- users;
- maintenance technicians;
- people in charge for dismantling and wasting.

The information in this installation manual are aimed to indicate how to use the screen and its technical features, how to move, install, set and use the machine. Moreover, it contains the instructions for personnel that will be in charge for maintenance and safety.

1.5 **SYMBOLS LEGEND**

In this installation manual the following symbols will be used:



IMPORTANT

This symbol is used to indicate recommendations, rules and information that every person has to take care during the life cycle of the product (installation, use, maintenance, waste, move).



DANGER

This symbol is used in the safety warnings of this installation manual, in order to indicate behaviours that are absolutely forbidden during the use of the screen, during maintenance operations or when there are potential dangerous situations that can cause serious injury or death.



WARNING

This symbol is used in the safety warnings of this installation manual, in order to indicate dangerous situations that, in case of negligence, can cause limited injuries or damages. The symbol can also be used to indicate situations that can damage the screen.

1.6 TECHNICAL ASSISTANCE

Manufacturer's customer service is available to support you with technical information about:

- queries concerning this installation manual;
- supply of spare parts;
- maintenance procedures;
- severe repairing;
- possible malfunctions of the product.

In any case, it will be compulsory to quote the serial number reported on the product identification label n. 01 and reference page number of this installation manual.

1.7 WARRANTY – GENERAL INFORMATION

This projection screen is guaranteed 2 years from the purchase date for manufacturing defects and 5 years on motor defects. Responsibility is limited to repairing or substitution of the defected components and without any other charge at our expense.

Warranty is officially voided if the screen has been dismantled or it is returned with collision damage or defective due to incorrect installation. Repairs must be carried out by an Approved ScreenInt Certified Engineer.

1.7.1 Warranty is officially voided if (all the following cases are including but not limited):

- 1) defects not due to deficiencies in the material or workmanship;
- 2) amendments, alterations, repairs or disassembling of the Product not previously authorized in writing by Screenint;
- 3) installation, use or maintenance of the Product not in compliance with Screenint 's instructions as set forth in this Installation Manual and/or in any other technical documentation supplied together with the Product;
- 4) bad and/or improper and/or not in compliance installation, maintenance, negligence, improper use;
- 5) use of non-original spare parts or not authorized in writing by Screenint;
- 6) normal wear and tear;
- 7) the motor is removed / dismantled;
- 8) the screen has been damaged in transit;

- 9) the instructions regarding the electrical connections have not been followed;
- 10) the products have to be installed following the electric regulations (CEI) and the other local specific laws;
- 11) in the installation are used electric interfaces that does not allow the correct time lapse between up and down operation (complete cut down of electric power on both phases for one second);
- 12) electrical accessories have been used that are incompatible with the screen motor causing damage to its internal components;
- 13) the motor end stops have been modified without the authorisation of the factory;
- 14) the sticker regarding the serial number of the product has been altered, deleted, removed or tampered.

1.7.2 DO NOT Install this screen nearby or over heating or air conditioning system, because PVC is a plastic material which dilates and remains damaged if it is subjected to heat and/or cool air.

The PVC cloth is very sensitive to temperature range. We advise to mount the screen in environments with an ambient temperature in the range of 20°-25°C.

We advise you to WAIT 3 HOURS for the SCREEN to ACCLIMATISE BEFORE MOUNTING AND ROLLING DOWN the screen after delivery, especially if screen arrives from a cold temperature.

In case at the first roll down, the screen shows waves, check temperature of the room. Roll up the screen again and leave it closed for 24 hrs at ambient temperature of 20- 25°C, in order to improve flatness.

THE SCREEN HAS TO BE STOCKED AND TRANSPORTED ALWAYS IN HORIZONTAL POSITION, otherwise there could appear waves on the projection cloth.

DO NOT WASH the projection surface with alcohol or solvent nor with commercial cleaners. Every now and then dust the surface with a dry and clean duster.

Please, be very careful because any kind of stain on projection surfaces is inerasable.

The screen has to be used showing the total projection sizes indicated on the packaging; therefore it is NOT allowed to adjust the end stops to restrict the total drop or extend it. Restricting the total drop of the screen is likely to cause your screen surface to lose its flatness.

When the screen is not completely rolled down (as by factory setting), flatness of the cloth is NOT guaranteed and therefore not covered by warranty. DO NOT HANG TO THE SCREEN and DO NOT HANG ANY OBJECT to it. Please take care that children DO NOT PLAY with the screen as they can get severely injured. The manufacturer will not accept returns of screens for repair without manufacturer's authorization (RMA number) and without a suitable packaging.

1.7.3 The actual installation manual with all its attachments represents the official and only documentation of this product and it has to be archived and used during the entire lifetime of the product.

1.7.4 In case the screen is passed to a third party, it is COMPULSORY that the user hands over to the third party this document and to inform the manufacturer of full name and address of the new owner.

1.7.5 The manufacturer reserves the right to modify at any time all the technical documentation and, consequently, the installation manual of the product without obligation of notice to the end users.

1.7.6 This installation manual is exclusively property of the manufacturer. Handling of this installation manual has to be authorized by the manufacturer. It is forbidden to copy, reproducing even partially, drawings and documentation included in this manual.

All violations are punishable by law and subject to compensation for damages under the protection of commercial rights. It is allowed to keep one copy only for archive purposes.

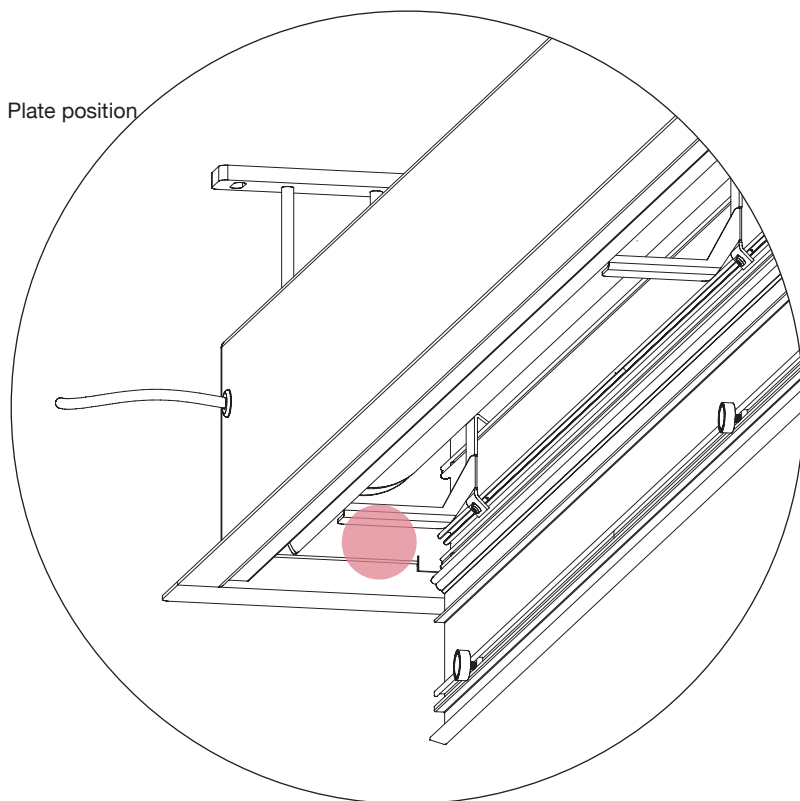
1.8 PRODUCT IDENTIFICATION LABELS

This machine is equipped with labels that contain its basic features.

1.8.1 Label n. 01

It provides the following information:

- A) Serial number
- B) Motor power
- C) Operating frequency
- D) Power consumption



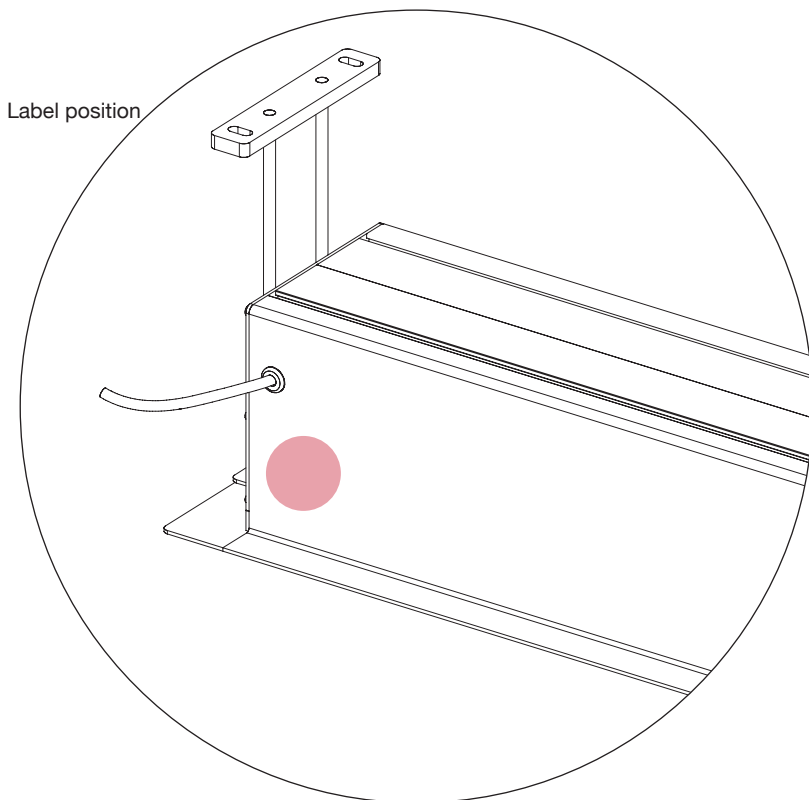
1.8.2 Label n. 02

This label reports the following information:

Behind the side of the motor power supply output is indicated the name of the operator responsible for assembly and calibration operations together with production date.

- A) Operator's name
- B) Assembly date, test and calibration

QUALITY CHECK	OK
OPERATOR A	DATE B

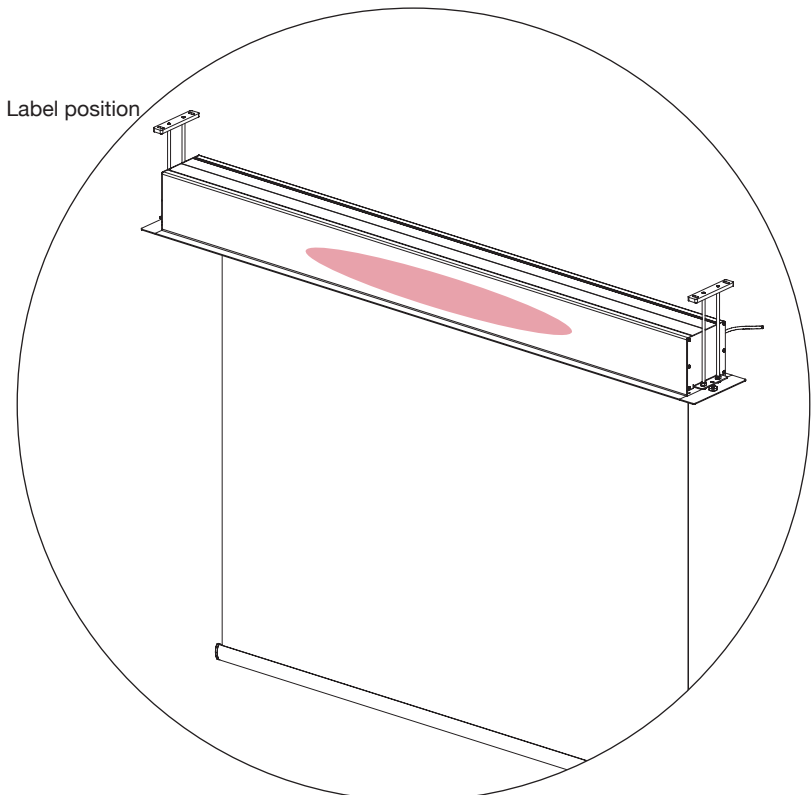


1.8.3 Warning label n. 01

This label reports the information indicated below.

WARNING **READ CAREFULLY THE INSTALLATION MANUAL BEFORE INSTALLING AND OPERATING**

THE SCREEN REACHES ITS OPTIMUM FLATNESS WHEN STOPPED AT THE FACTORY SET BOTTOM LIMIT. ADJUSTING THE LIMITS COULD INVALIDATE YOUR WARRANTY. PLEASE CONSULT WITH THE SUPPLIED INSTALLATION MANUAL FOR GUIDANCE ON TOLERANCE LIMITS.



1.9 CORRECT USE OF THE PROJECTION SCREEN

The machine GIOTTO is a motorized screen for videoprojection. It is developed to be installed and used indoor only. After an accurate ceiling installation carried out by a technician, the end user will only have to lower or lift the fabric.

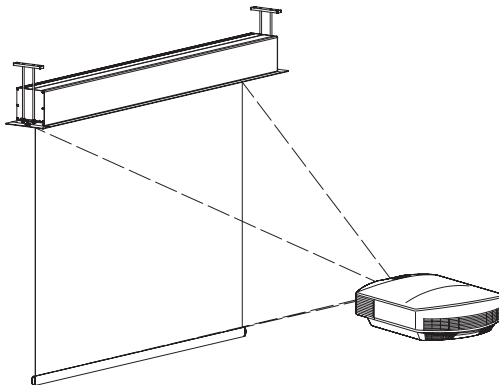
The machine has to be used from qualified people only.

With “qualified people” we mean people who are instructed and trained by the technician of the installation company about the use of the screen and eventual related risks.

Specifically, the end users have to be instructed about the fact that the use of this machine has to be done conforming to the indications of this installation manual.

The screen has to be used specifically for what it is purposed, as it is indicated inside the installation manual.

These obligations have to be fulfilled also from forwarders, installers, maintenance technicians and people in charge for wasting the product, each of them regarding their own task.



1.10 IMPROPER USE OF THE PROJECTOR SCREEN

The screen has been developed for the professional use above mentioned; any other use can cause damages to the product and/or create dangerous situations of which the manufacturer cannot be considered responsible.

Specifically, it is FORBIDDEN to:

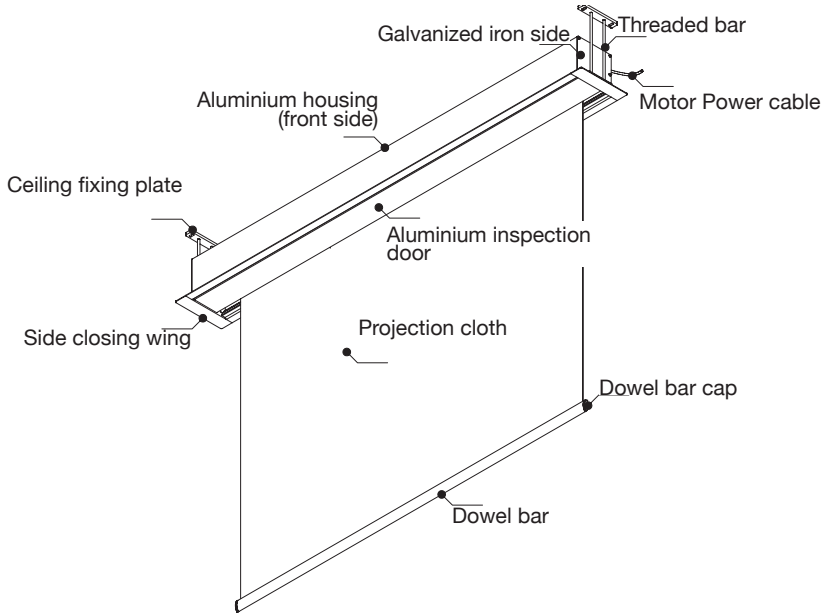
- Use the machine at voltages other than the nominal one.
- Lift objects attached to the dowel bar or to the cloth.
- Lift people or animals.
- Use the screen outdoor.
- Use the screen in wet environments.



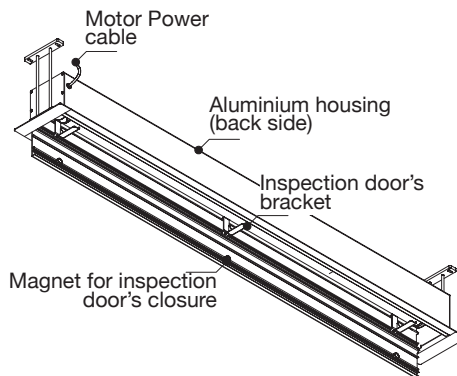
2.0 GENERAL DESCRIPTION OF THE PROJECTION SCREEN

2.1 GENERAL DESCRIPTION

2.1.1 The drawing below describes the elements that compose the screen (FRONTAL VIEW).

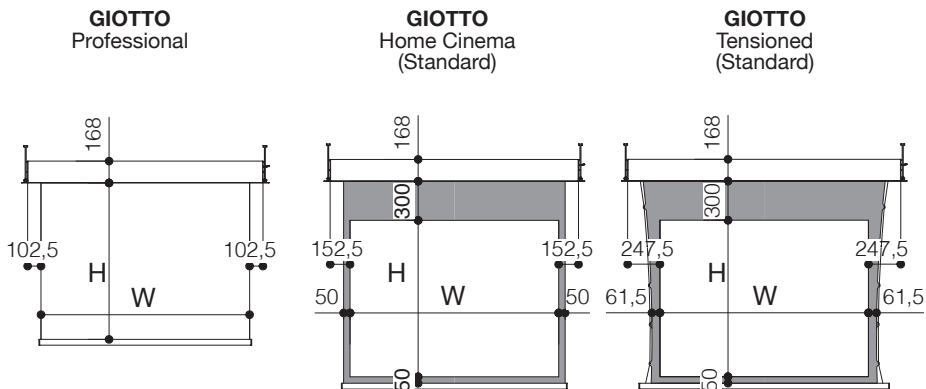


2.1.2 The drawing below describes the elements that compose the screen (REAR VIEW with the inspection door open).



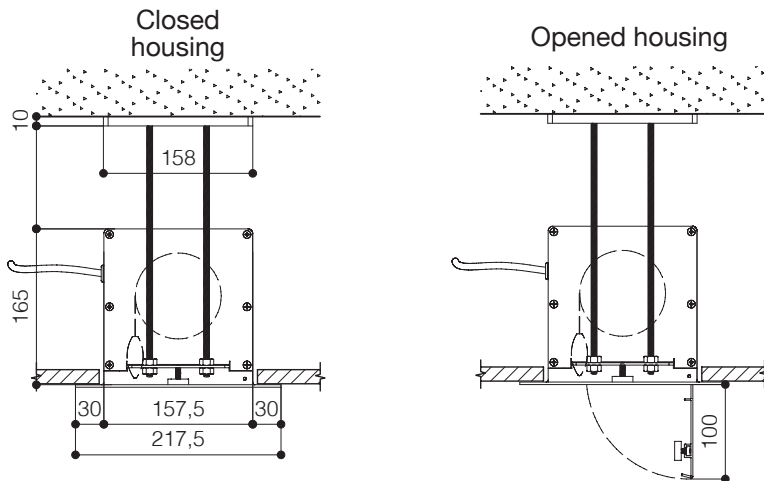
2.2 DIMENSIONS OF CLOSED AND OPEN SCREEN

The following drawings describe the maximum dimensions of the open motorized screen, viewed from the front, for the different models.



Measures are expressed in mm.

The following drawings describe the maximum dimensions of the motorized screen housing closed and open for the inspections, seen from the left side, mounted inside the false ceiling.



Measures are expressed in mm.

2.4 MOTOR SPECIFICATIONS

MOTOR Series XQ50

Tubular motor with mechanical end stops

cod:

XS5P18

cod:

XQ5P2016

POWER SUPPLY	230	120
FREQUENCY	50	60
LENGTH OF POWER CABLE	2.5 m	2.5 mt/8 ft
SECTION OF POWER CABLE WIRES	4x0.75 mm ²	4x0.75 mm ²
OPERATING TEMPERATURE	-10°C/40°C	14°F/104°F
THERMO-PROTECTION	4 min	-
PROTECTION	44	44
TORQUE	7	20
SPEED	18	16
MAXIMUM CONSUMPTION	184	-
ABSORPTION	0,80	1,10
SAFETY THERMO-MAGNET (par.4.5.2)	16A	16A
MAXIMUM ROTATIONS OF THE MOTOR	28	28
DUTY RATING		1minON/1minOFF

3.0 SAFETY STANDARDS AND RESIDUAL RISKS

3.1 SAFETY STANDARDS

This screen has to be used specifically for what it is purposed. The manufacturer cannot be held liable for eventual damages and injuries to people, animals or objects, in case of improper or wrong use of the screen itself (see chapter 1.9).

DISCONNECT THE MAINS FROM THE SCREEN, BEFORE STARTING ANY MAINTENANCE OR CLEANING OPERATION OF THE PRODUCT. CHECK CAREFULLY THAT THE SCREEN IS DISCONNECTED BEFORE ANY OPERATION.



- In case of failure or malfunction of the screen, do not attempt to carry out repairs. For any repairing, please contact an authorised supplier that is authorised by manufacturer.

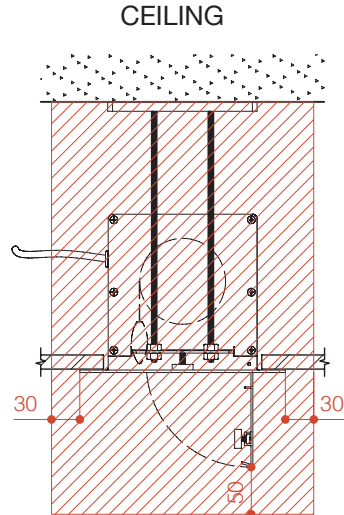


- Take care to make the electric connections as described in chapter 4.3.
- Take care to carry out the maintenance program.
- Do not remove or alter product identification labels affixed on the product by the manufacturer.

3.2 RESIDUAL RISKS (rs)

3.2.1 During the use of the screen, please take care of areas that have residual risks for people or objects, in case of incorrect use or evaluation error or inattention eluding the norms specified in this installation manual and indications on product identification labels.

The following drawing identifies the residual risk area around the housing of the screen.



3.2.2 Other residual risks:

- Do not lift up or down people or animals.
- Do not attach anything to the projection cloth.
- Do not insert fingers and/or other objects into the grooves.

3.2.3 Electrical risks

The screen has been developed according to the safety norms of industrial machines. In any case, all specifications mentioned inside this installation manual and all normal cautions have to be followed, when using appliances connected to the mains.

ANY OPERATION THAT INVOLVES PARTS CONNECTED TO THE MAINS AND AT ELECTRICAL COMPONENTS HAVE TO BE CARRIED OUT FROM QUALIFIED PERSONNEL ONLY, ALWAYS FOLLOWING THE PROCEDURE HERE UNDER:

- 1) SWITCH OFF THE MACHINE.
- 2) DISCONNECT THE MAINS BY THE GENERAL SWITCH.
- 3) DISCONNECT THE SCREEN FROM THE MAINS.
- 4) MAKE THE NECESSARY MAINTENANCE OPERATIONS.

3.3 NOISE GENERATED BY THE PROJECTION SCREEN

3.3.1 Warnings

The indicated noise values are indication levels and are not necessarily safe operational levels.

Even though there is a relationship between emission levels and exposure levels, this cannot be reliable in order to define if there is need of supplementary precautions.

The factors that define the user's exposure level include the duration of exposure, the features of the room where the screen is installed and other sources of noise.

The maximum exposure levels may vary between countries. In any case, all these information will allow the user to better evaluate danger and risk using this product.



The noise of the projection screen is LESS than 70 dBa.

The user has also to pay attention to other factors that can influence the noise level of the product, among others, correct installation and the type of support surface onto which the screen is installed.

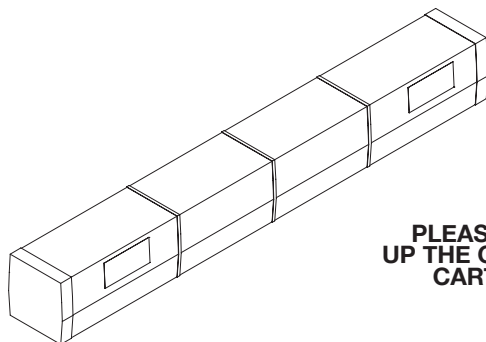
4.0 INSTALLATION

4.1 PACKAGING CONTENTS

When you open the packaging please CHECK that it contains ALL the components below.

In case one or more components are missing, please refer to the supplier you purchased the product from.

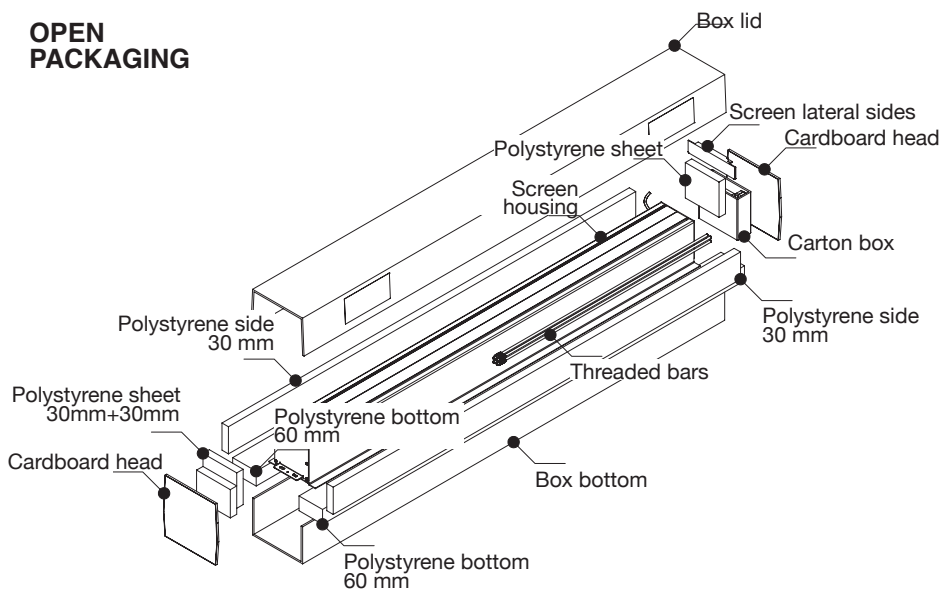
CLOSED PACKAGING



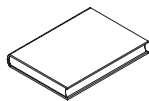
PLEASE STORE UP THE ORIGINAL CARTON BOX



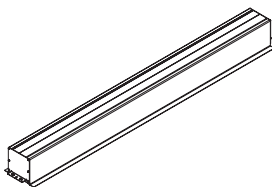
OPEN PACKAGING



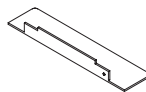
4.1b PACKAGING CONTENT



x 1
Installation and
maintenance
manual

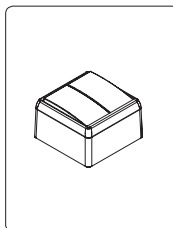
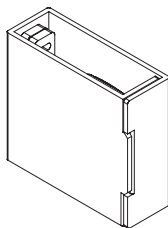


x 1
Screen
housing

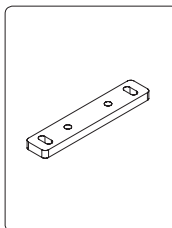


x 2
Side closing
wings

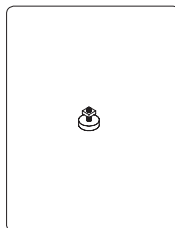
CARTON HEAD BOX



x 1
Up/down
switcher

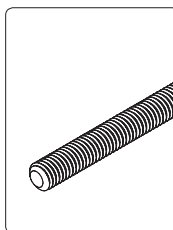
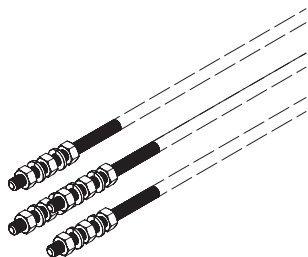


x 2
Ceiling
fixing plate

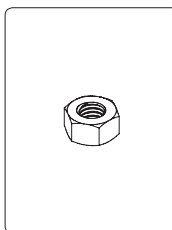


x 2
Squared nut
magnet

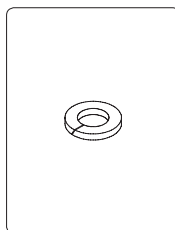
THREADED BAR pre-assembled



x 4
Threaded bar M8
L.1000 mm



x 12
Nut M8



x 8
Elastic washer with
external overlapping
teeth
M8

4.2 INSTALLATION

The screen have to be mounted onto a ceiling suitable to support its weight (for example: concrete ceiling).

Before starting the installation, please check:

- the ceiling to be completely smooth and even.
- the ceiling to be leveled (we recommend to check this feature, using a professional tool, for example a bubble level);
- the ceiling to be suitable to support the screen's weight.



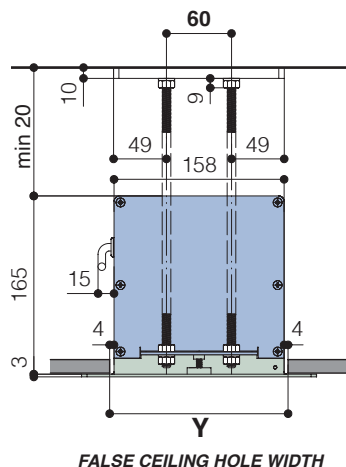
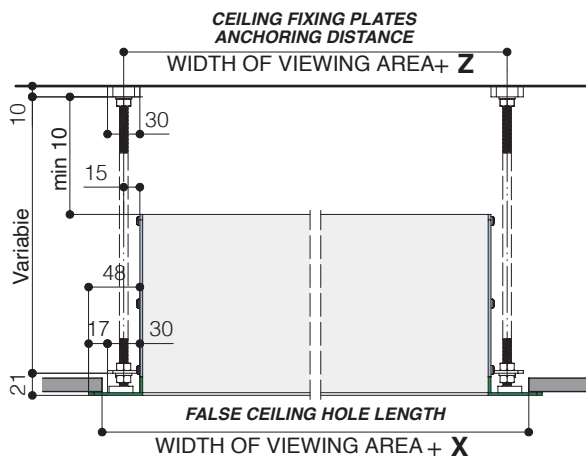
SCREWS AND PLUGS FOR THE CEILING INSTALLATION ARE NOT SUPPLIED.

4.2.1 - CEILING INSTALLATION

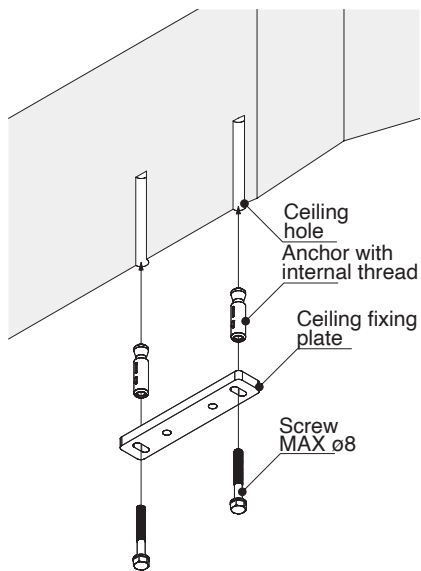
According to the type of screen, calculate the dimensions for the ceiling fixing plates and the dimension of the hole in the false ceiling, following the diagrams below.

SCREEN TYPE

SCREEN TYPE	Z (cm)	X (cm)	Y (cm)
GIOTTO PROFESSIONAL	+23,5	+28,5	16,5
GIOTTO HOME CINEMA (HC)	+33,5	+38,5	16,5
GIOTTO TENSIONED	+52,5	+57,5	16,5

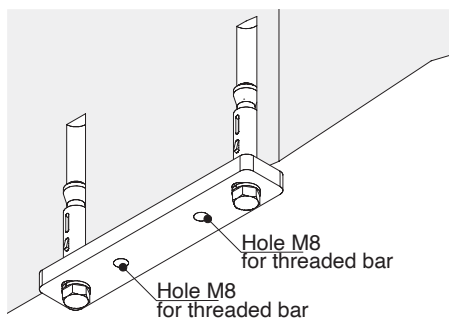


Calculation example: **GIOTTO HOME CINEMA (HC)** 200x125
 Width of viewing area = 200 cm
 Anchoring plates distance (Z) = 200 cm + 33,5 cm = 233,5 cm
 Hole width (X) = 200 cm + 38,5 cm = 238,5 cm

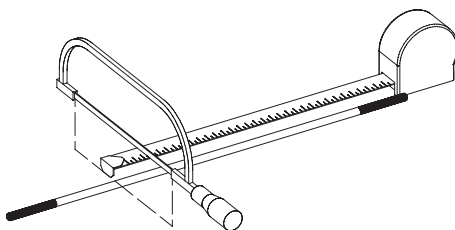
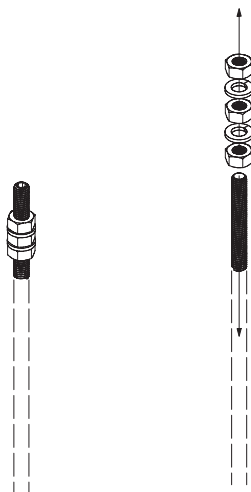


Proceed with drilling the ceiling, insert the suitable chosen plugs into the holes.

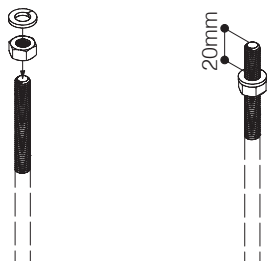
Screw tightly the fixing ceiling plate to the ceiling.



Take the pre-assembled threaded bars, remove nuts and washers and cut them at the desired length.



After cutting them, the thread will result deburred. Use a proper tool to remove the deburring, in order to screw the bar easily.

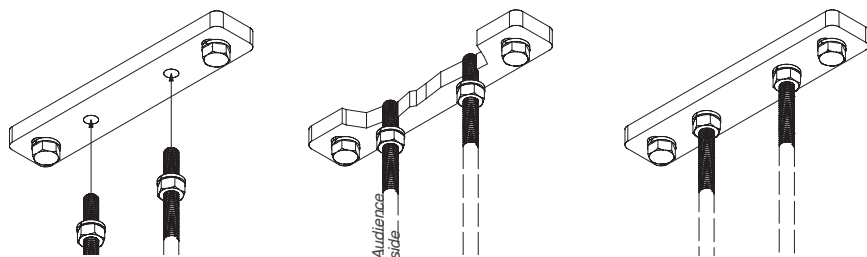


Screw a bolt to the bar and insert a washer.

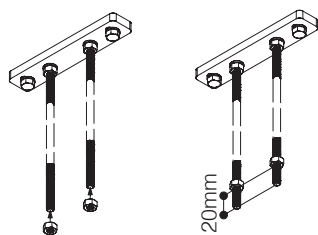
Before screwing the threaded bar, make sure that between the thread and the washer there is a minimum distance of 20 mm.

Screw the threaded bars in the ceiling fixing plates, making sure that the thread is inserted through all the depth of the plate (10 mm).

Then, clamp the bolts.



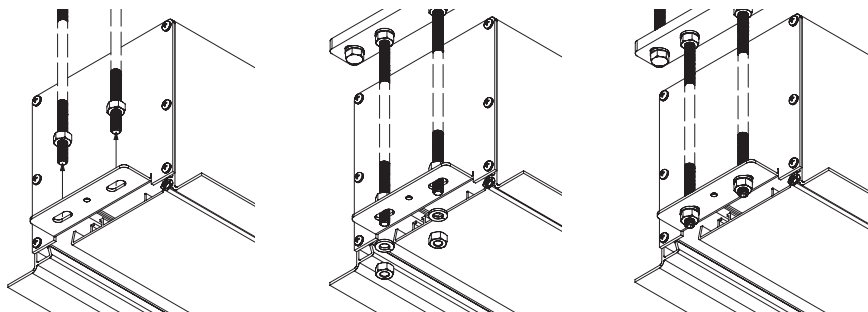
In order to install the screen's housing, proceed as shown below:



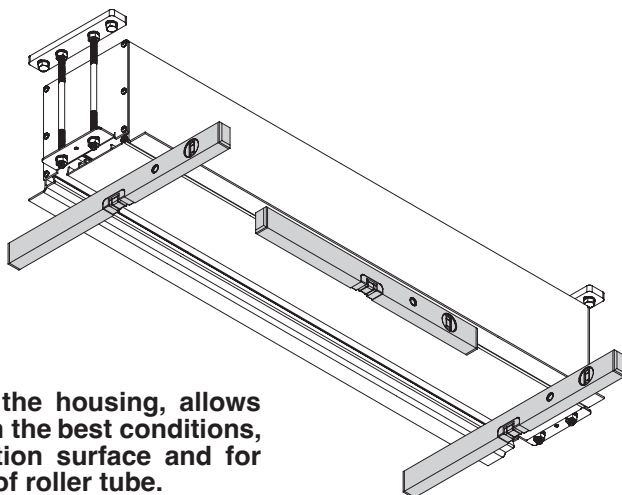
Screw the bolts to the threaded bars.

Before installing the housing, make sure that the distance between the nut and the end of the threaded bar is at least of 20 mm.

Lift up the housing and insert for 13 mm. the threaded bars inside the holes of the side plates of the housing. After that, insert the upper and lower washers and the nuts M8 and tightened them firmly.

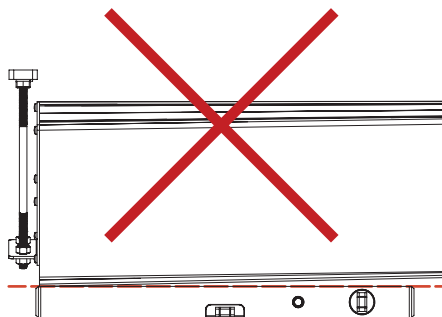
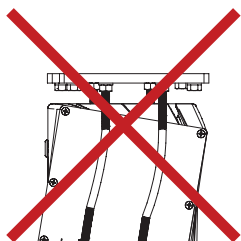


The nuts described in the previous chapter help also to obtain precise levelling of the housing. It is advised to use a bubble level to check and adjust levelling of the screen.

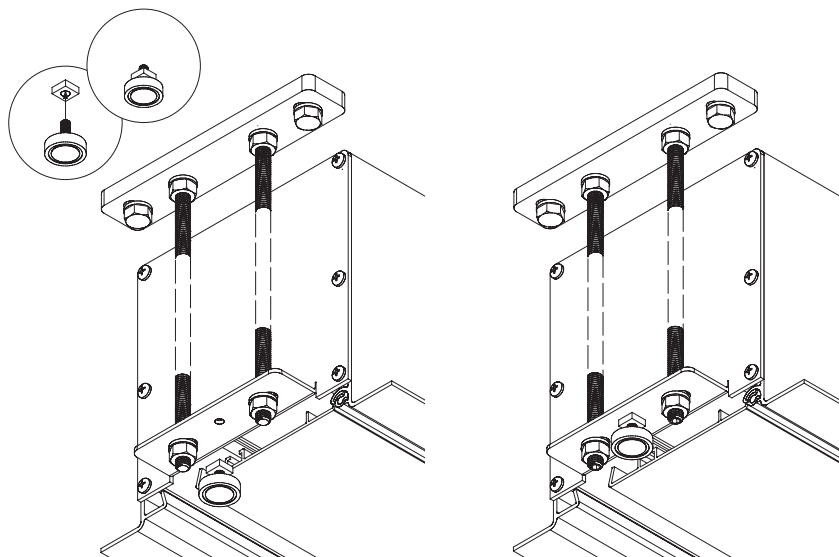


Perfect levelling of the housing, allows the screen to work in the best conditions, both for the projection surface and for the correct rotation of roller tube.

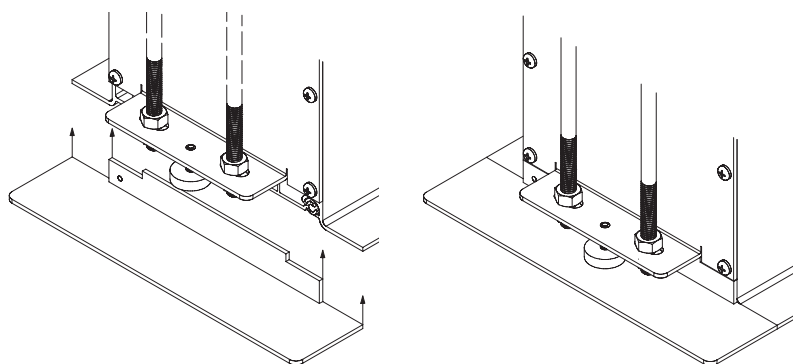
A wrong installation of the housing, with an imperfect levelling, causes twisting of the housing itself, which **COMPROMISES THE CORRECT FUNCTIONING OF THE SCREEN CAUSING SERIOUS DAMAGES TO IT AND TO THE PROJECTION SURFACE.**



After checking perfect levelling of the screen, proceed with the installation of the finishing frame side wings. Screw the squared nut to the magnet. Now, screw the magnet to the housing, as shown by the drawings below.



Place the side wings near the magnet and adjust the magnet height, so that the side wings are perfectly aligned with the screen's housing.



4.2.2 - REMOVAL OF THE ROLLER TUBE WITH PROJECTION CLOTH FROM THE HOUSING

It is possible to remove the roller tube with the projection cloth from the housing, in case the following events occur:

- Dusty construction sites
- Installation tests, before the definitive installation
- Repairings

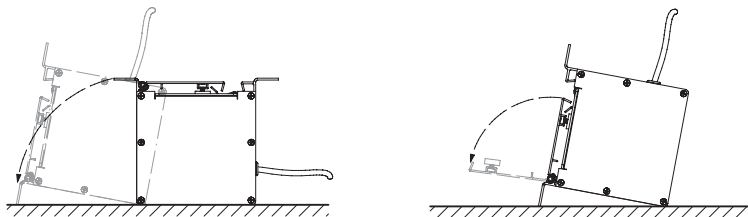
In these situations, it is mandatory, penalty the voiding of the warranty, to ask the manufacturer's authorization.

Moreover, this operation must be carried out by two or more qualified people.

In order to remove the tube with the cloth, lay down the housing with the door facing upwards.

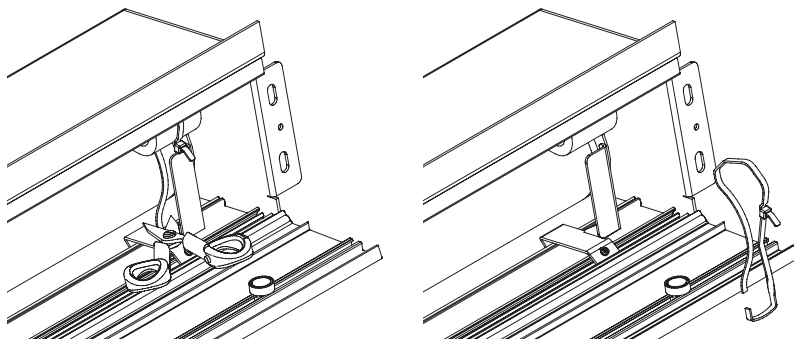
Slowly rotate the housing in a position that allows to lean it on the frame and make sure the position of the motor cable is upwards.

Open the door manually, simply by pulling it (it is held by magnets fixed to brackets inside the housing).

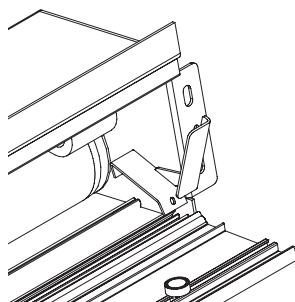
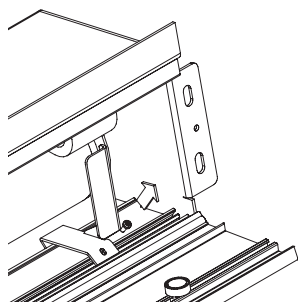


Dowel bar is secured to the sides with foamed plastic pieces inside the housing and with plastic straps to protect it during the transportation.

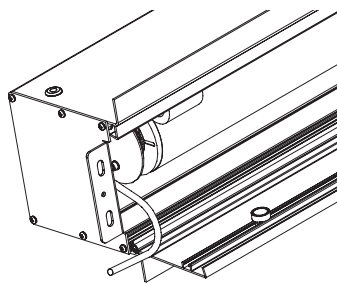
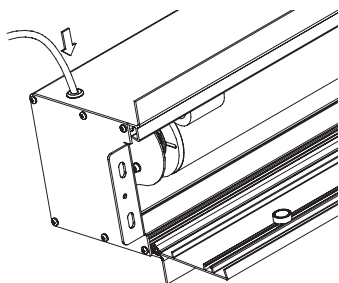
Cut the plastic straps CAREFULLY WITHOUT DAMAGING THE PROJECTION CLOTH to release the dowel bar. It is advised not to remove the foamed plastic pieces.



Remove the brackets inside the housing, unscrewing the auto-threading screw. Place the brackets in a safe place, so you can mount them again.

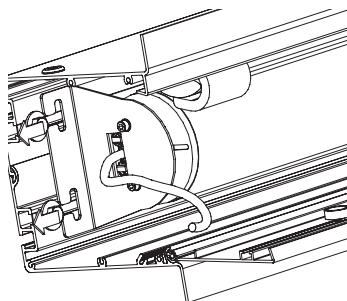
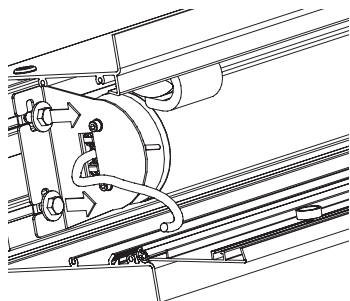


Extract from inside the housing the power cable for about 1 mt, in order not to have obstacles when you have to remove the roller with cloth.

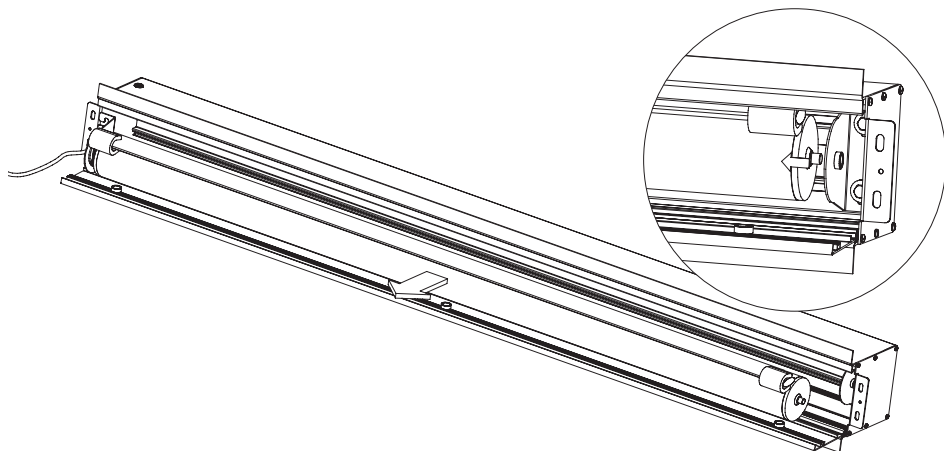


On the side where the motor is located, loose the hexagonal-head screws M8, in order to let the motor bracket be cleared from them. Pay attention not to unscrew them completely, avoiding to make the roller tube fall on the housing.

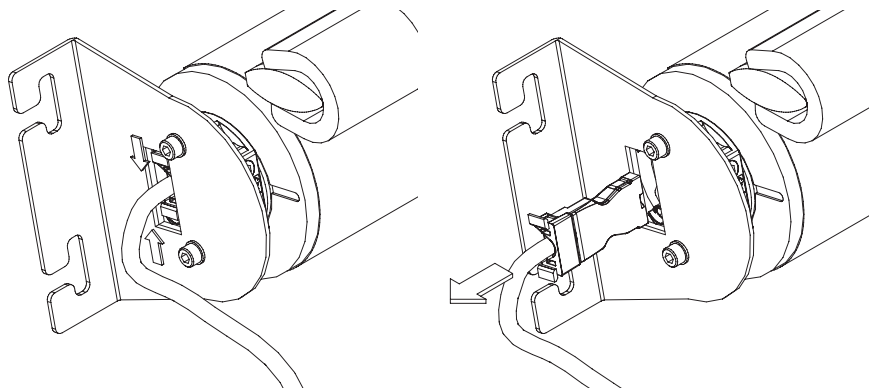
We advise that one person looses the screw, the other one supports the roller tube. **DO NOT DISASSEMBLE THE SIDE.**



Take out the roller tube taking care not to damage the cloth. Lay the roller tube with cloth on a smooth and clean surface.



After laying the tube, disconnect the power connector from the motor. Press towards the center of the tabs and, keeping them pressed, extract the connector.



IMPORTANT: the roller tube with the projection surface has to be stored with extreme CAUTION wrapping it in a clean plastic envelope and placed inside the box paying attention that the cloth does not touch anything inside it, because it could cause permanent marks on the cloth and therefore it will be PERMANENTLY DAMAGED.

In order to mount the roller tube with the projection surface again, make the same operations above described backwards.

4.3 ELECTRICAL CONNECTION

4.3.1 The cable has to be protected from high temperatures, oils, impacts, crushings and sharp corners. Always check that the voltage is the same as the one specified on the machine label (label n.01). **It is mandatory to connect the screen to earth.**



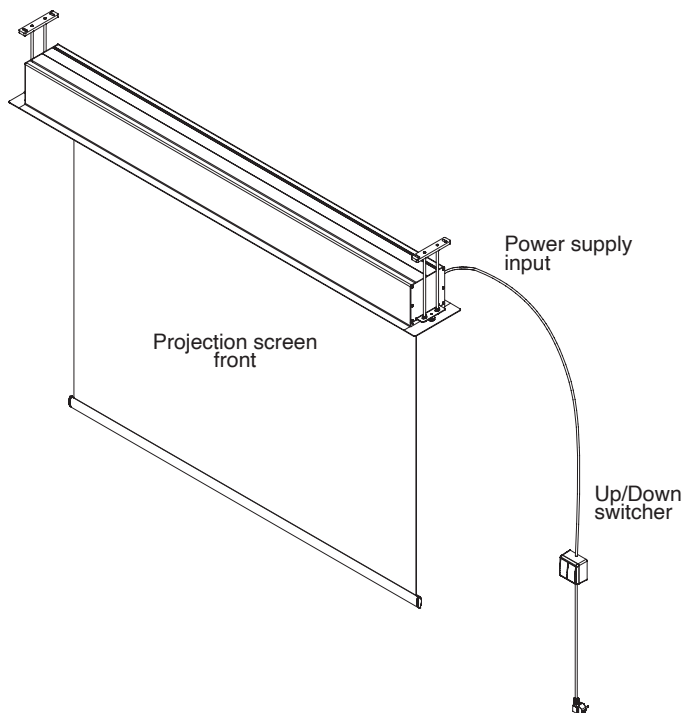
4.3.2 Before connecting the screen to the mains, carefully check that it has no faults or malfunctions.



4.3.3 **DO NOT CONNECT TWO OR MORE MOTORS TO THE SAME SWITCH. USE THE SUPPLIED SWITCHER ONLY.**



4.3.4 ELECTRICAL CONNECTION



Up/down switcher composition.

Install the switcher next to the screen so that during the rolling up and down of the cloth, the screen is visible by the operator.

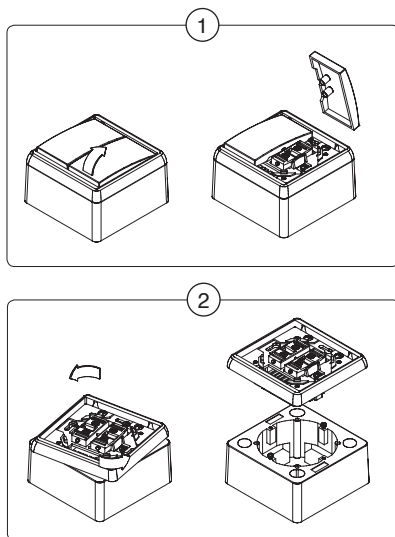
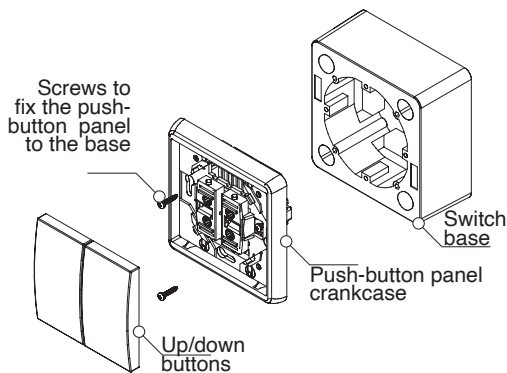
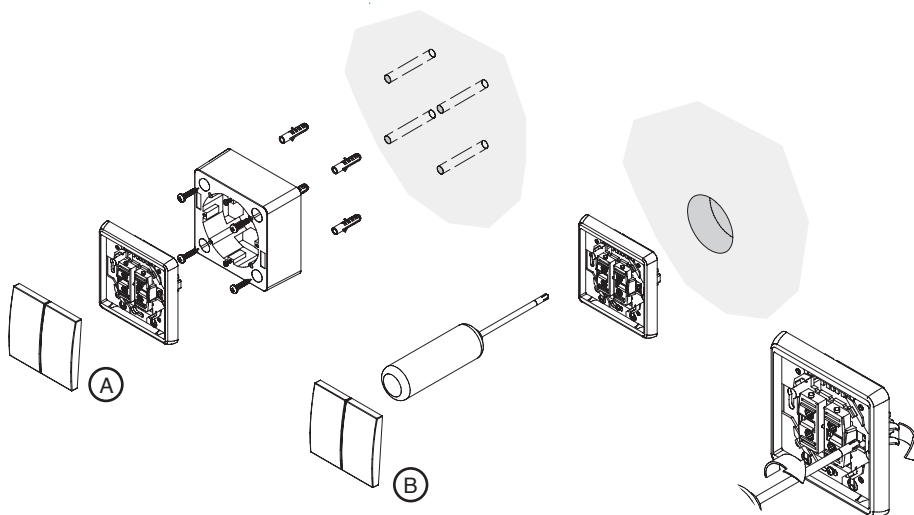


Fig. 1 Without using screwdrivers or anything else, remove the up/down buttons

Fig. 2 Rotate lightly the case to move it away from the switch base

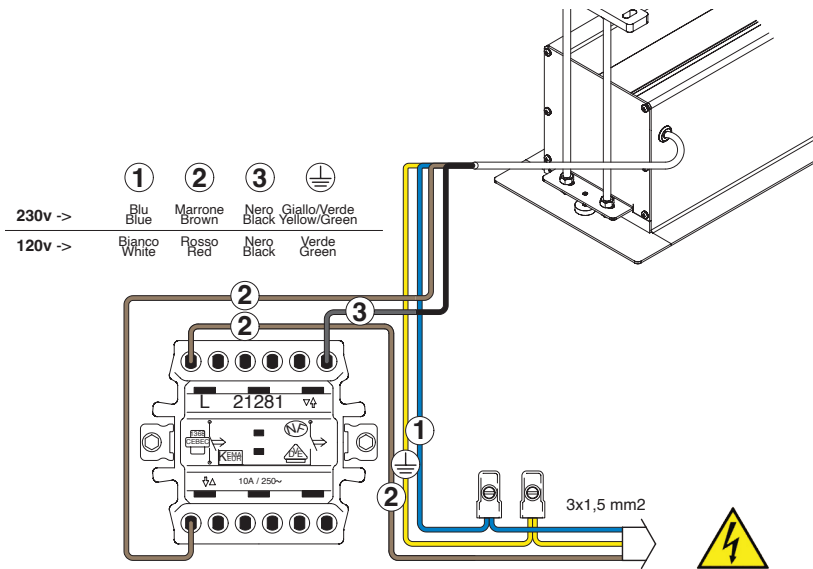
The switch can be installed to the wall in two different ways: with base (fig. A) or without base (fig. B).



4.3.5 Use electrical cables with section suitable to the motor voltage. The cables has to be protected from high temperatures, oils, impacts, crushings and sharp corners. Always check that the voltage is the same as the one specified on the machine label (label n.01). It is mandatory to connect the screen to earth.

4.3.6 Before connecting the screen to the mains, carefully check that it has no faults or malfunctions.

4.3.7 **ELECTRICAL CONNECTIONS.**



4.3.8 Any operation that involves parts connected to the mains and to electrical components have to be carried out from qualified personnel only, always following the procedure here under:

- 1) SWITCH OFF THE MACHINE.
- 2) DISCONNECT THE MAINS BY THE GENERAL SWITCH.
- 3) DISCONNECT THE MACHINE FROM THE MAINS.
- 4) MAKE THE NECESSARY MAINTENANCE OPERATIONS.

5.0 END STOP ADJUSTMENTS INSTRUCTIONS



**READ CAREFULLY BEFORE
STARTING ANY MODIFICATION
TO END STOPS**



Adjustment to motor end stops may cause irreparable damage to the screen surface and motor and should only be attempted by a technically competent person. **In case, after the modification to end stops, the screen will be damaged the warranty is no longer valid.**

IMPORTANT WARNINGS:

BOTTOM END STOP

Restricting the drop by motor limit adjustment may result in the material losing its surface flatness. In case waves appear, please set again the bottom end stop to original factory setting.

IT IS NOT ALLOWED TO INCREASE THE LENGTH OF THE SCREEN'S DROP.

MARKING LINE PRESENT – LOWER THE SCREEN FURTHER MAY CAUSE THE SURFACE TO DROP.

UPPER END STOP

It is NOT advisable to modify the upper end stop. In any case, in rolled up position, the dowel bar has to be flushed with the bottom of the housing.

BOTTOM END STOP – “A”

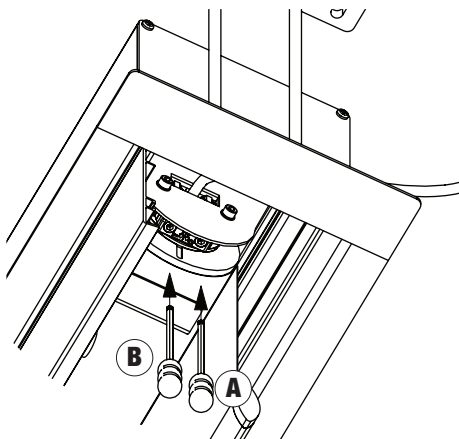
Before adjusting the bottom end stop, roll up the screen at least 50 cm. above the preset bottom end stop.

Turn clockwise to shorten material length. Please: do NOT extend the drop set by the factory. It is likely to cause the material to fall off the roller.

UPPER END STOP – “B”

Turn counter clockwise to raise upper end stop. Adjust the dowel bar so that it is flush with the bottom of the case, in the fully closed position. Damage may occur to the material and to the motor, if dowel bar is forced into the case i.e. upper end stop too high. Dowel bar should remain loose.

Turn clockwise to lower the upper end stop.



6.0 OUT OF ORDER

When the screen it has reached the end of its life it has to be put out of order and it has to be dismantled.

To carry out these operations, please refer to the notes here under:

If the screen will be stored, before the dismantling, it is necessary to make it useless in the following way:

- Disconnect it from the mains;
- Put the lift in the original box;
- Put on the box the following note:
**“CAUTION: DO NOT USE THIS MACHINE
 PRODUCT TO BE WASTED”**

6.1 WASTE

Before starting wasting the screen, please check that it is disconnected from the mains.

In case the screen is still connected, disconnect it from the mains.

When wasting it, it is necessary to divide the plastic parts from the electrical components in order to waste them properly following the recycling norms.

As regards the mechanic parts of the screen, it is suggested to divide steel parts from other metals or alloys parts so that they can be sent for a proper recycling process.

Dismantling the screen, please pay attention to all heavy metal parts in order to avoid crushing.

Wasting of the components have to be carried out according to the laws in force in the country where the screen is installed.

In any case, EC Directives have to be followed:

- | | |
|-------------|-------------------------------|
| -91/156/CEE | waste |
| -91/689/CEE | dangerous waste |
| -94/62/CE | packaging and packaging waste |

These procedures have to be followed in order to recycle and waste in the best way all the components and to avoid dangers for health and environment, specifically avoiding:

- dangers for water, air, soil, fauna and flora;
- noises and smells;
- damages to landscape and to cultural places based on the norms in force.

*Produttore/Manufacturer/Hersteller/Produtor
 Euroscreen Srl – Via Stiria, 45/16 – 33100 Udine – Italy – VAT n.*

ADDENDUM TO INSTALLATION AND MAINTENANCE MANUAL

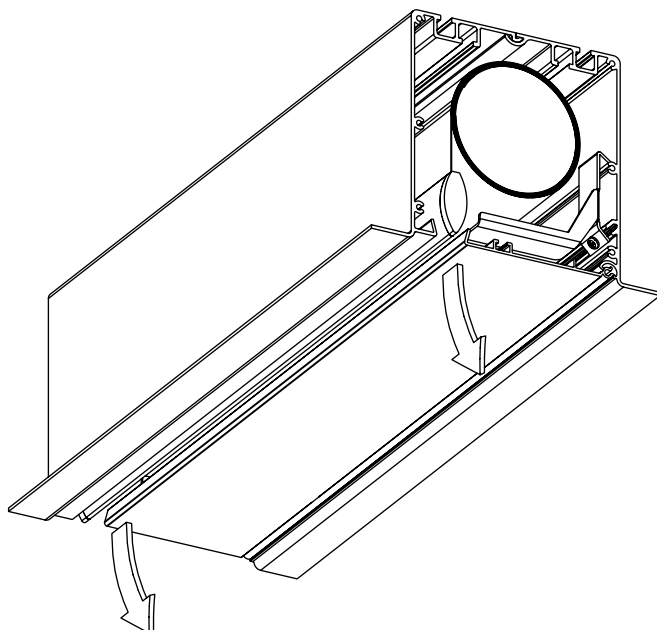
MOTORIZED SCREEN GIOTTO



In order to guarantee a safer transport, the screen is packed so that the trap door will not incur in damages. This appendix will guide the installer about the procedure to follow in order to fix correctly the internal brackets and close the screen's trap door.

OPENING THE TRAP DOOR

Open carefully the trap door, pulling it downwards manually from the sides . **DO NOT try to open the trap door from the centre, as it will get severe damages.**



Once the trap door is opened, you will find the side magnets already fixed in the correct position. **DO NOT MOVE THEM.**

REMOVE ALL THE PROTECTION DEVICES THAT ARE INSIDE THE GIOTTO HOUSING.

POSITIONING THE BRACKETS

The number of brackets and corresponding magnets, varies depending the width of the screen:

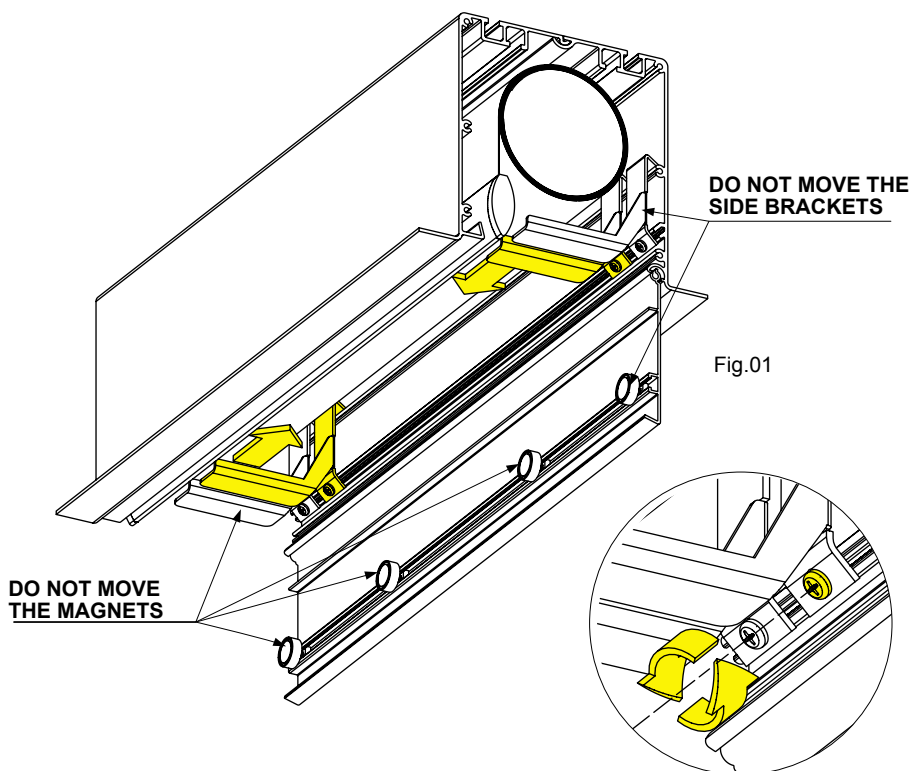
n.3 brackets / magnets for screens up to 3 mt. wide

n.4 brackets / magnets for screens from 3 mt up to 4,5 mt wide

WARNING: DO NOT MOVE THE SIDE BRACKETS. They are already fixed in the correct position.

Unscrew the screw that blocks each bracket. (Fig. 01).

Position the brackets in correspondence to the prefixed magnets (Fig. 02).



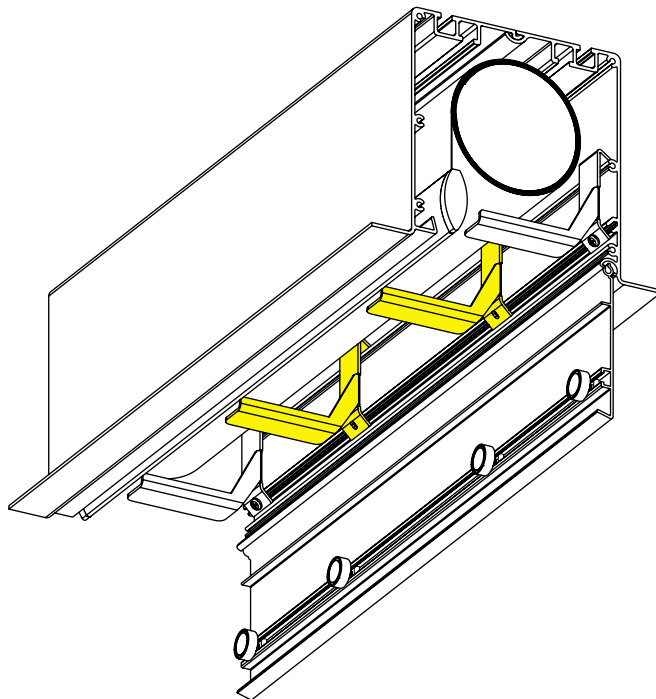


Fig.02

Before tightening the brackets, check that they are perfectly aligned with its magnet (Fig. 03).

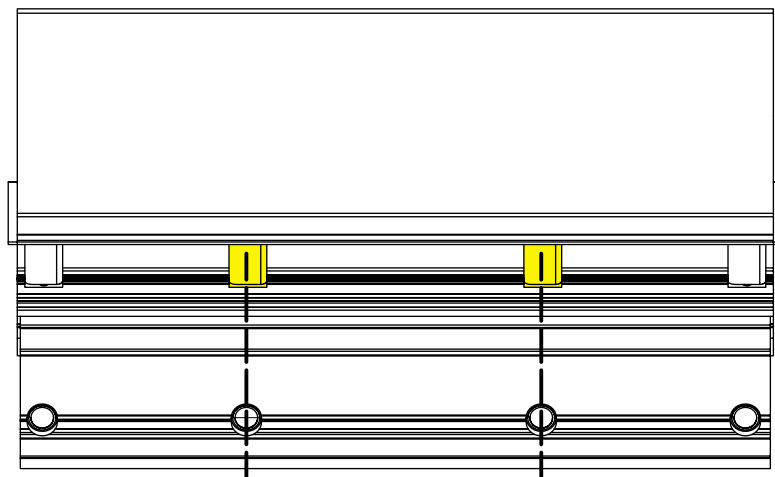


Fig.03



Now, tighten the screws in order to block the brackets (Fig. 04).

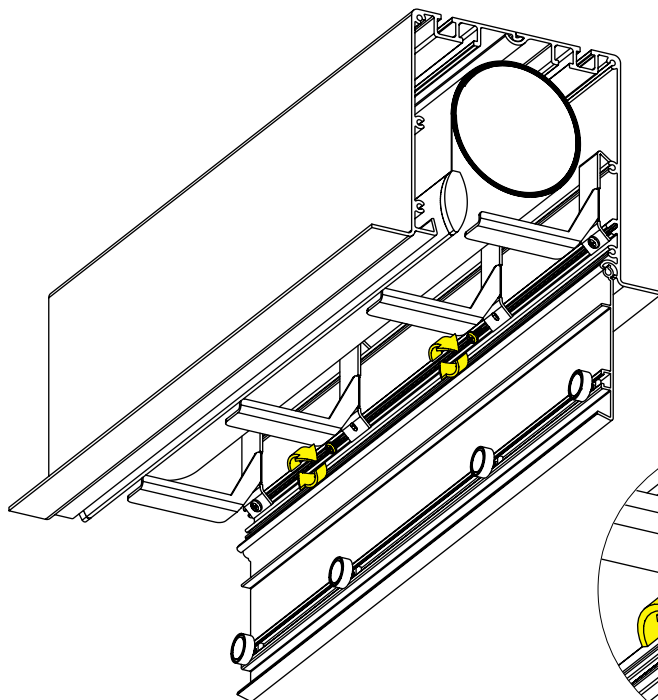
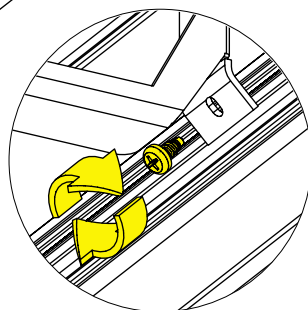
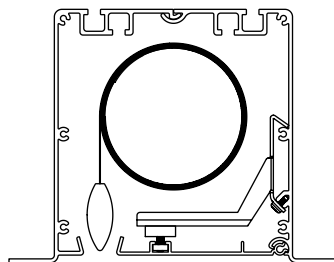
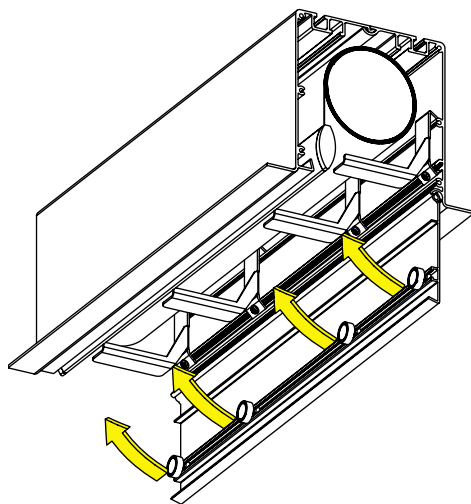


Fig.04



Now, the trap door can be closed.



Once the trap door is closed, the screen's bezel has to be as per drawing above.