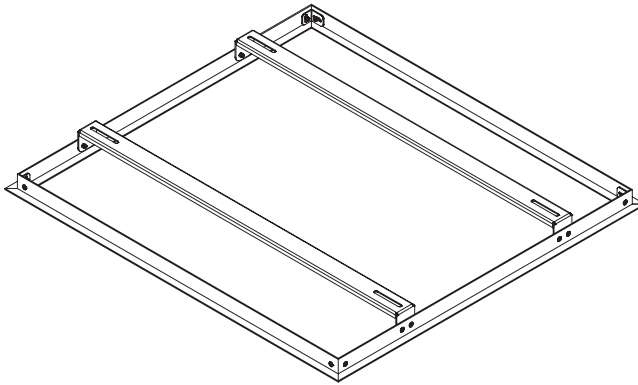


INSTALLATION MANUAL

CEILING TILE HOLDER CT-720

SUITABLE FOR PROJECTOR LIFT MODEL

SI-H L 50 HC

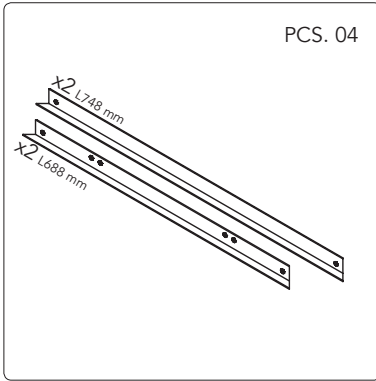


ORIGINAL INSTRUCTIONS IN ITALIAN LANGUAGE

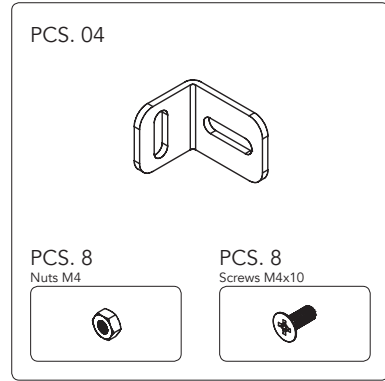
Translation into English language

1.0 PACKAGING CONTENT

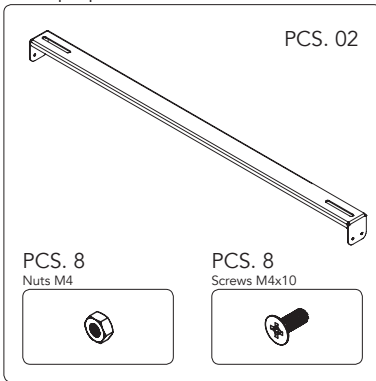
Aluminum profiles of the frame



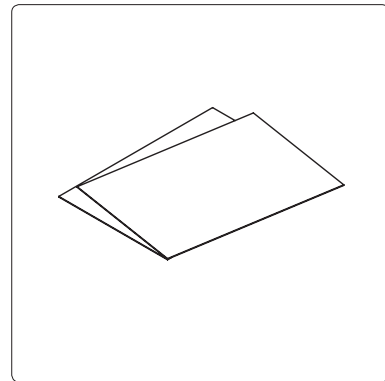
Steel angle brackets, screws and nuts



C-shape profiles, screws and nuts

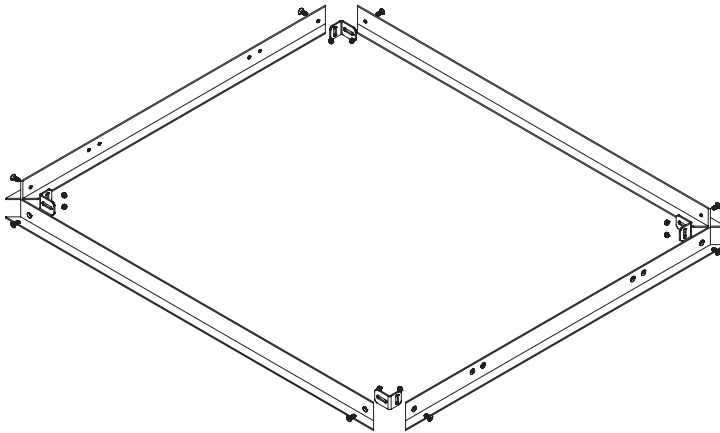


Installation manual

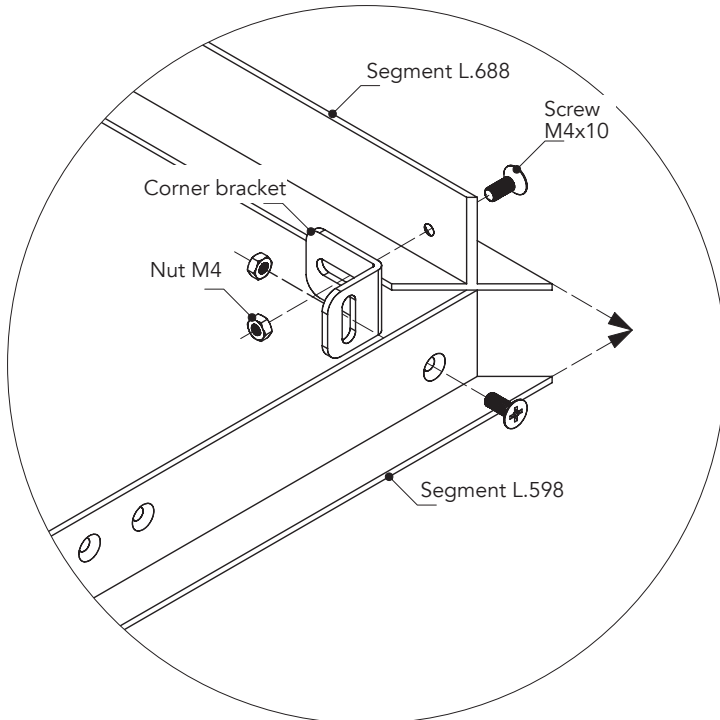


2.0 ASSEMBLY OF THE BEZEL

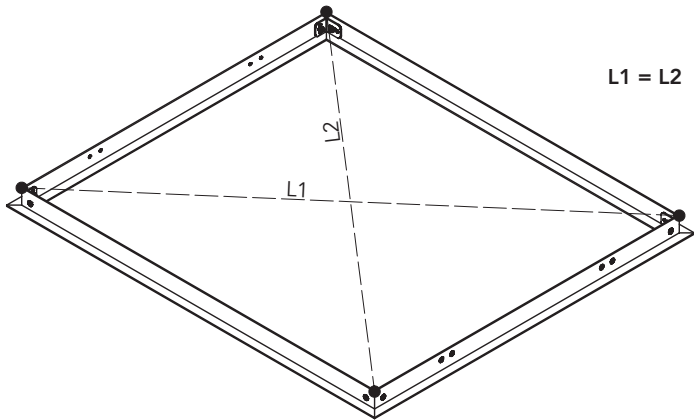
2.1 Bezel assembly



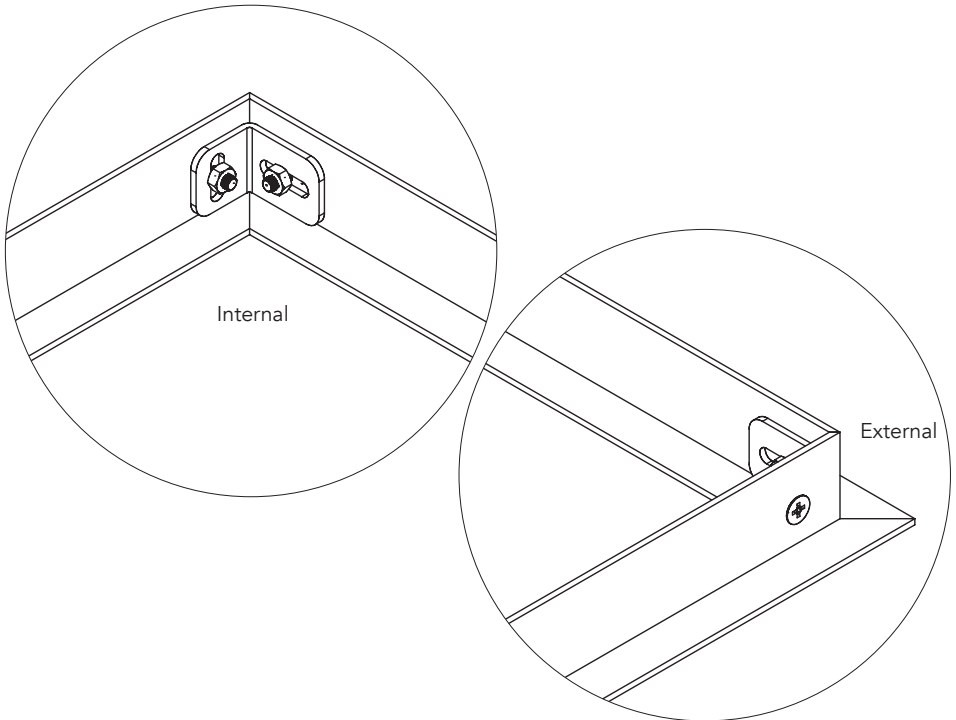
2.2 Assembly detail of the corner



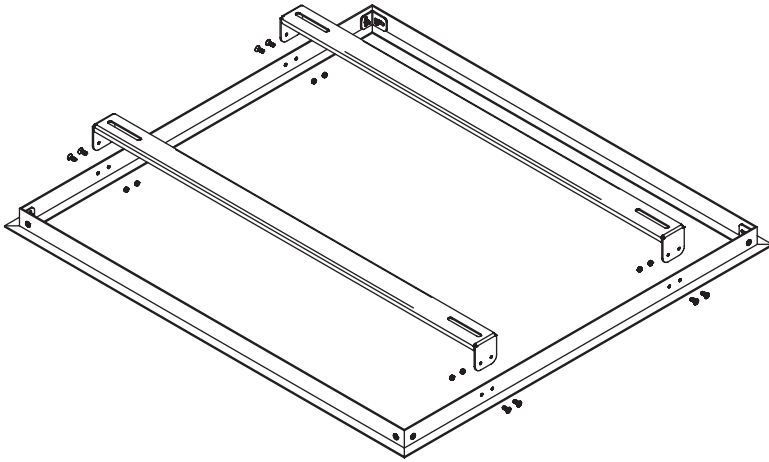
- 2.3 Assembly of the bezel.
Once assembled the bezel, check that L1 has the same length as L2



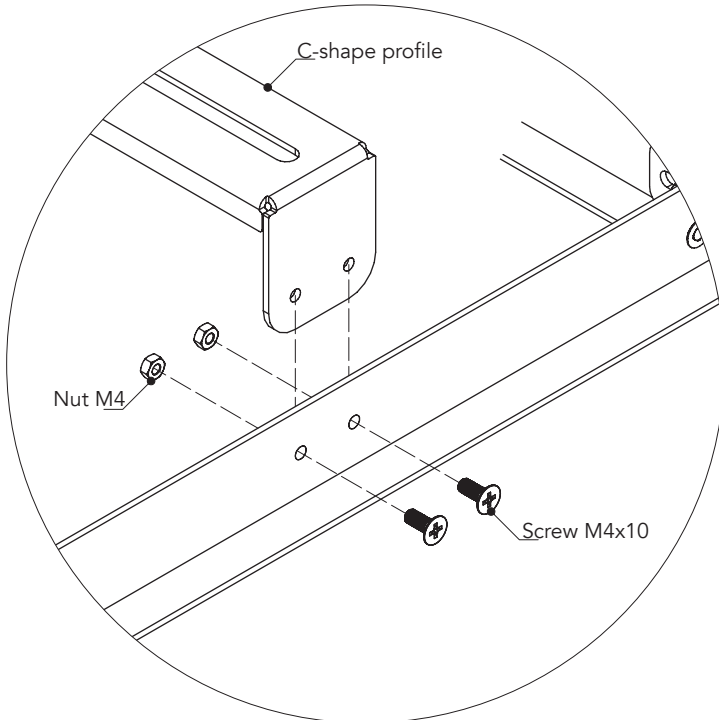
- 2.4 Detail of assembled angle bracket



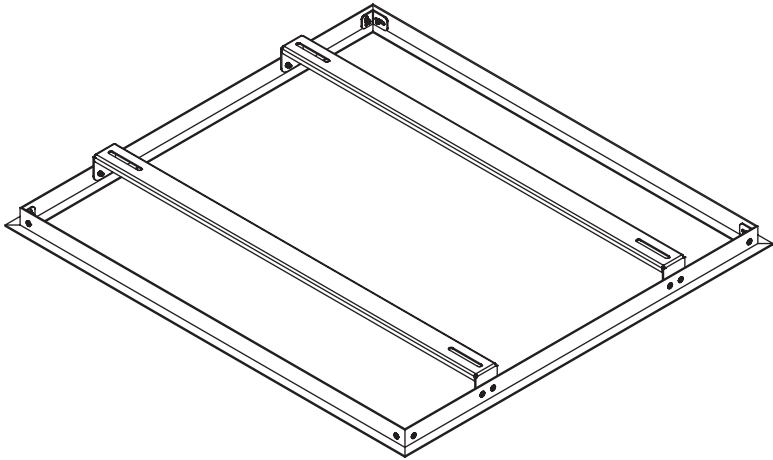
3.0 ASSEMBLY OF THE C-SHAPE PROFILES



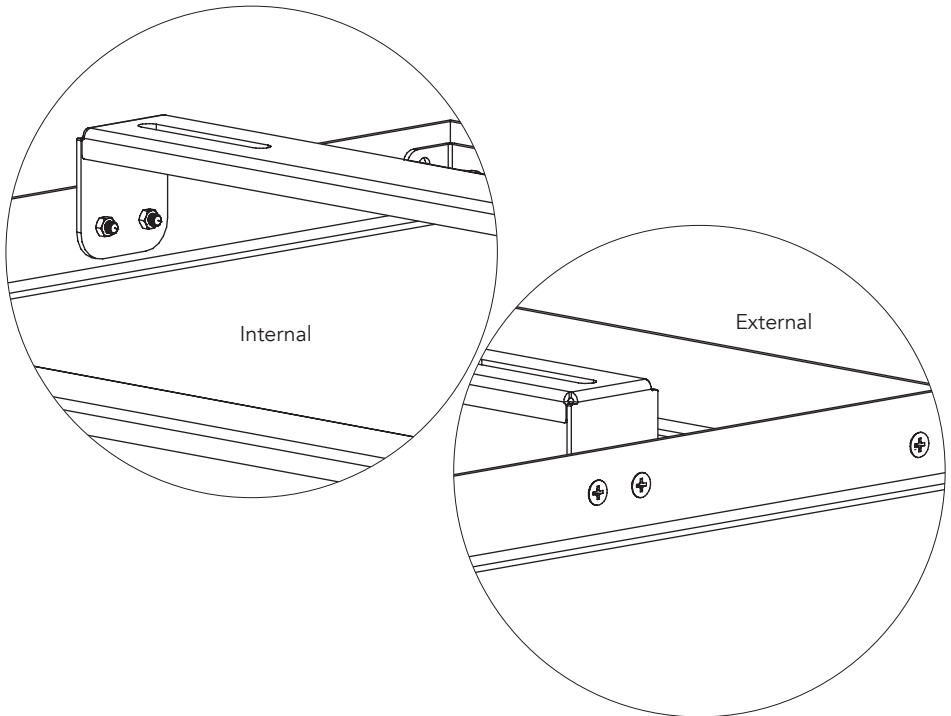
3.2 Detail of the assembly



3.3 C-shape profiles assembled

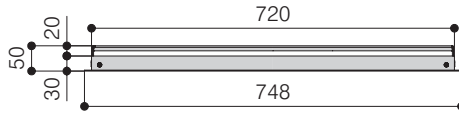


3.4 Detail assembly of the C-shape profile



4.0 DIMENSIONS

Frontal view



Upper view

