

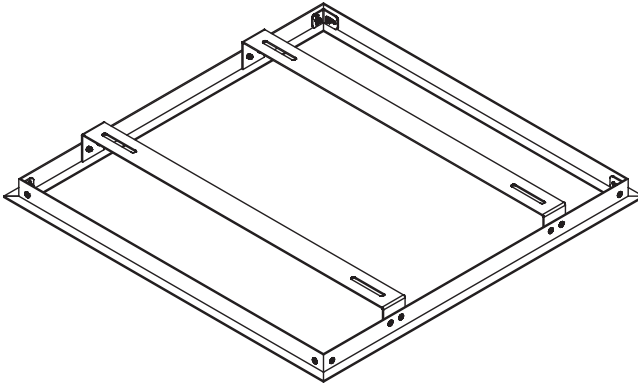
INSTALLATION MANUAL

CEILING TILE HOLDER CT-570

SUITABLE FOR PROJECTOR LIFT MODELS

SI-30, SI-100, SI-200,

SI-H L 100, SI-H L 200, SI-H L 300

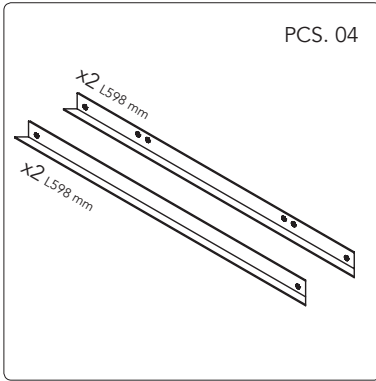


ORIGINAL INSTRUCTIONS IN ITALIAN LANGUAGE

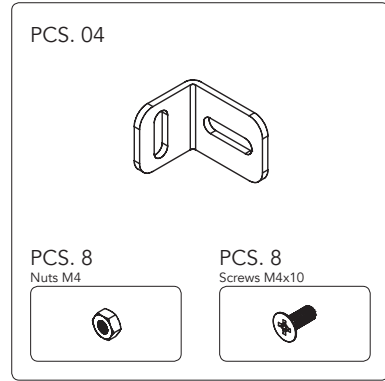
Translation into English language

1.0 PACKAGING CONTENT

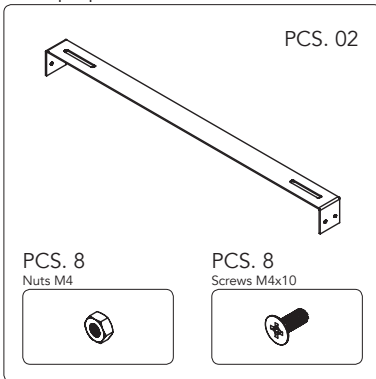
Aluminum profiles of the frame



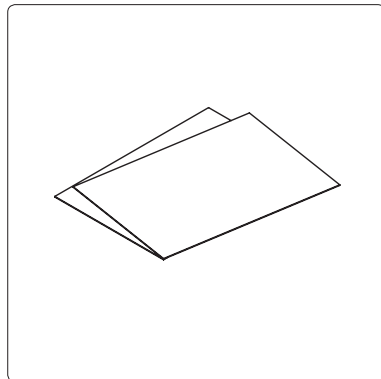
Steel angle brackets, screws and nuts



C-shape profiles, screws and nuts

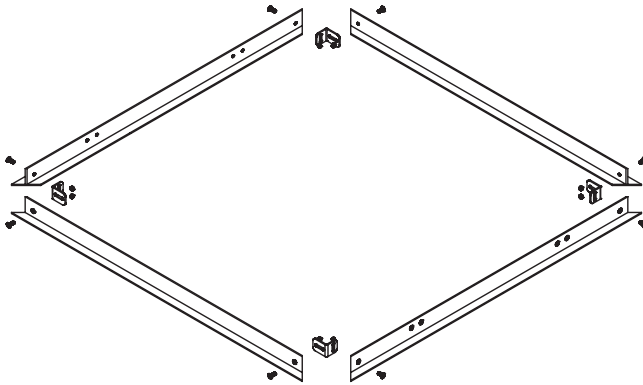


Installation manual

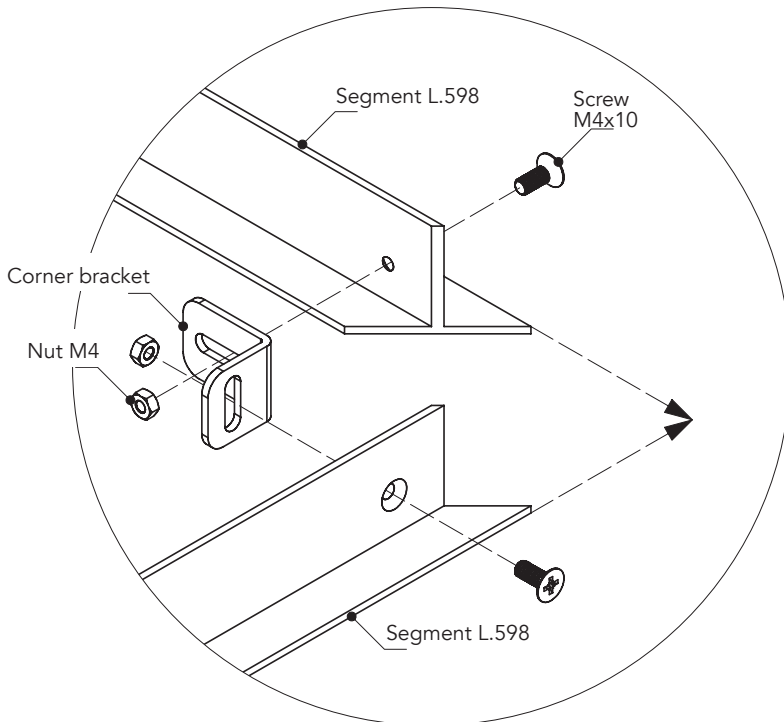


2.0 ASSEMBLY OF THE BEZEL

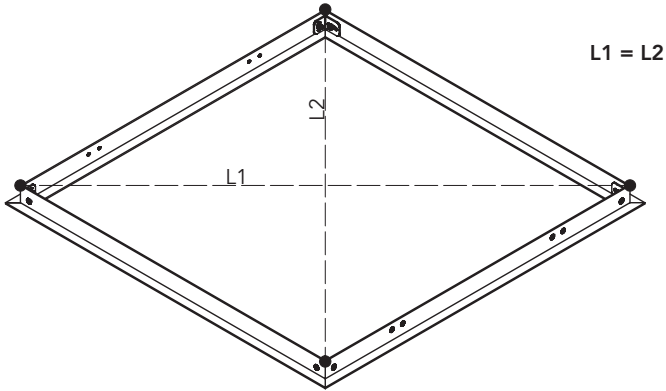
2.1 Bezel assembly



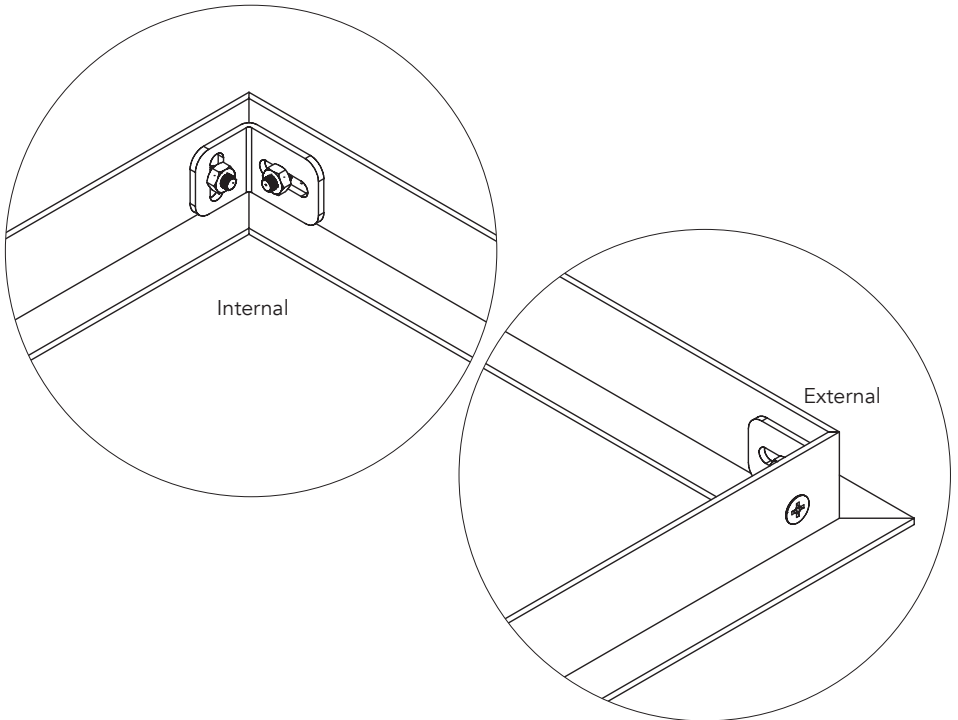
2.2 Assembly detail of the corner



- 2.3 Assembly of the bezel.
Once assembled the bezel, check that L1 has the same length as L2

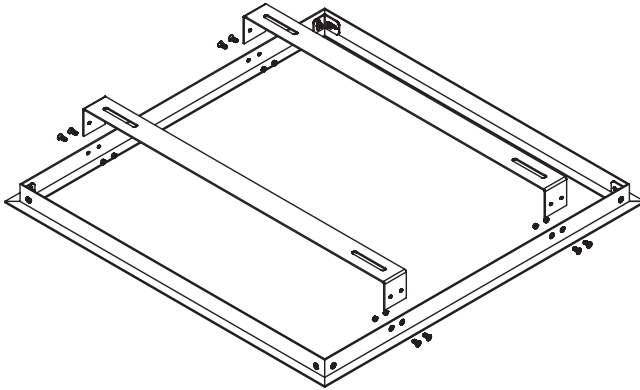


- 2.4 Detail of assembled angle bracket

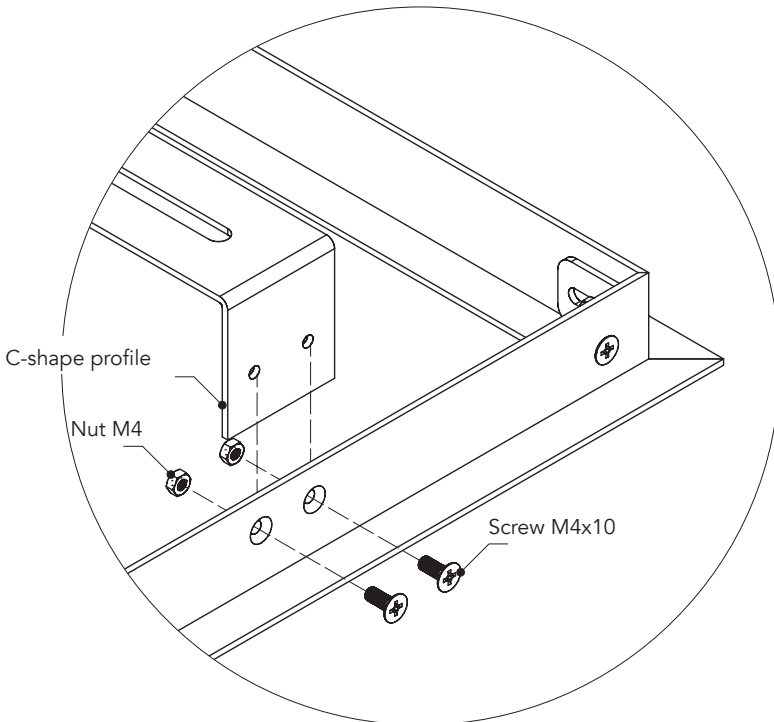


3.0 ASSEMBLY OF THE C-SHAPE PROFILES

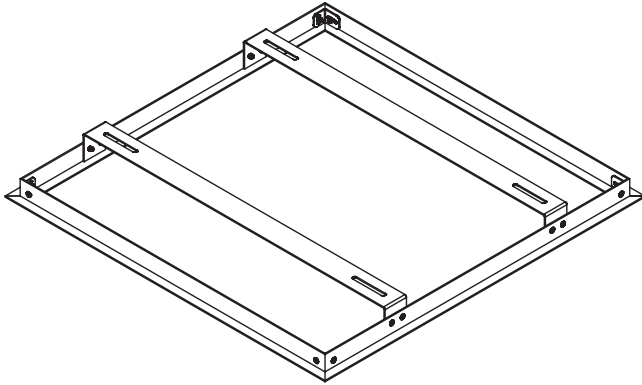
3.1 C-shape profiles assembly



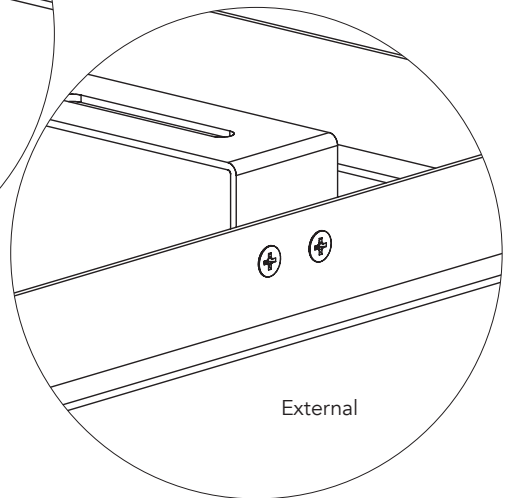
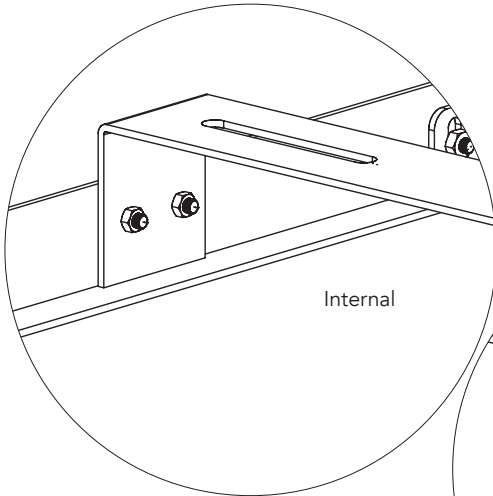
3.2 Detail of the assembly



3.3 C-shape profiles assembled

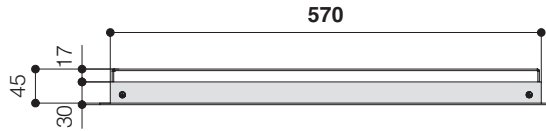


3.4 Detail assembly of the C-shape profile

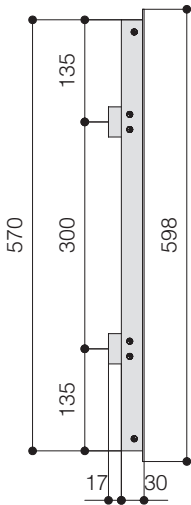


4.0 DIMENSIONS

Frontal view



Side view



Upper view

