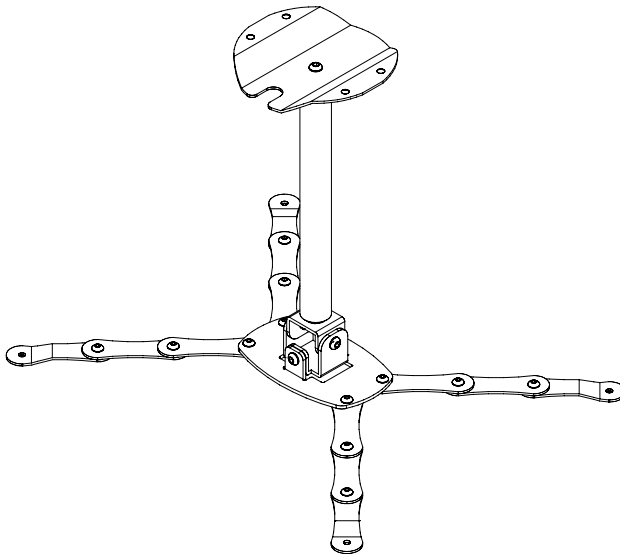


INSTALLATION MANUAL

PROJECTOR ARM

B-24



ORIGINAL INSTRUCTIONS IN ITALIAN LANGUAGE

Translation into English language

1.0 GENERAL INFORMATION

1.1 GENERAL INFORMATION

First of all congratulations for your choice.

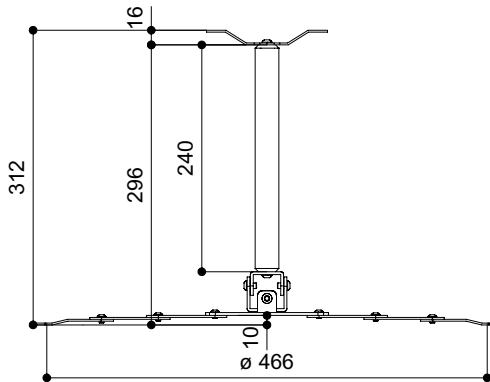
We are pleased that you have bought this universal video projector ceiling bracket, which is easy to install and can be used for nearly all LCD and DLP projectors up to 15 Kg.

BEFORE YOU INSTALL THE CEILING BRACKET, READ ALL INSTRUCTIONS CAREFULLY AND FOLLOW THIS INSTALLATION MANUAL.

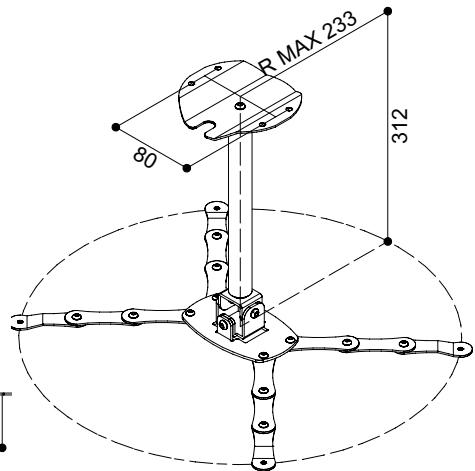
1.2 DIMENSIONS OF PROJECTOR ARM

The drawings here under indicate the maximum dimensions of the projection arm.

Front view



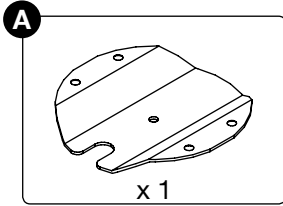
Axonometric view



2.0 INSTALLATION

2.1 PACKAGING CONTENTS

When you open the packaging, please CHECK that it contains ALL the components below.



Ceiling mounting plate

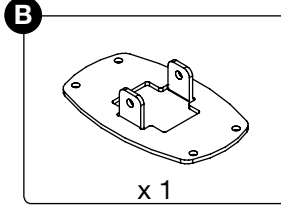
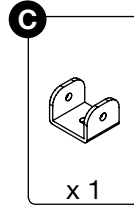
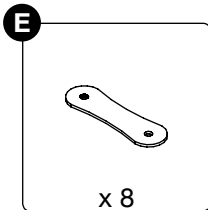
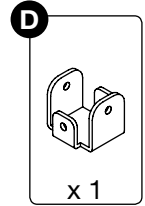


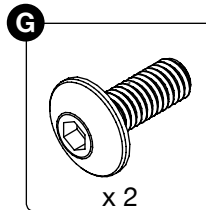
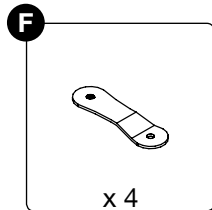
Plate for central join



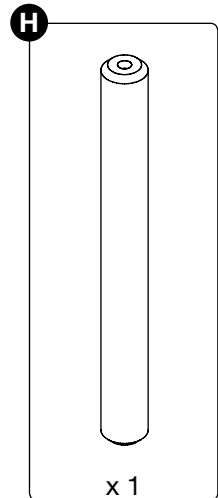
Central joint



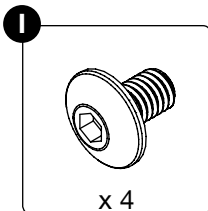
Mounting plates for the spider system



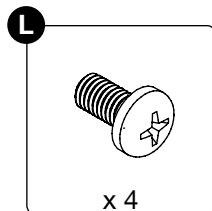
Socket head screw
M6x16



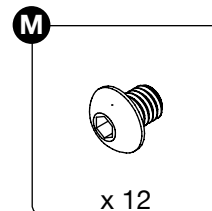
Column



Knurled socket head screws
M6x10

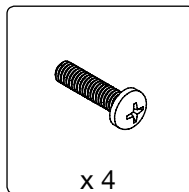


Socket head screws
M5x10

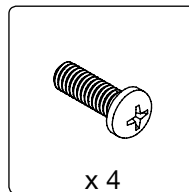


Socket head screws
M5x6

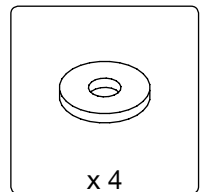
SCREWS FOR MOUNTING THE PROJECTOR TO THE SPIDER SYSTEM



Crowned head screws
M3x12



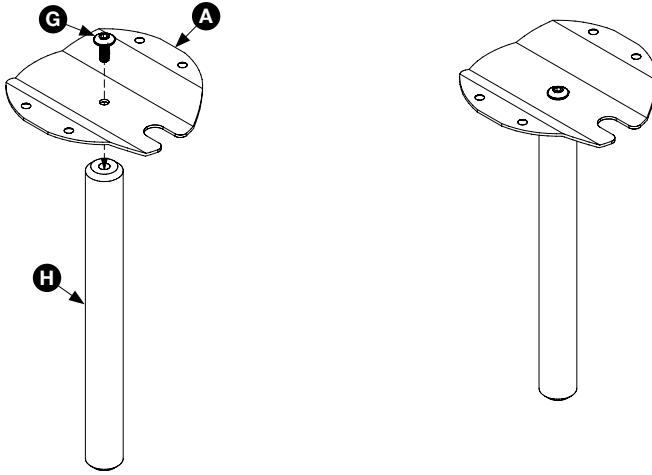
Crowned head screws
M4x10



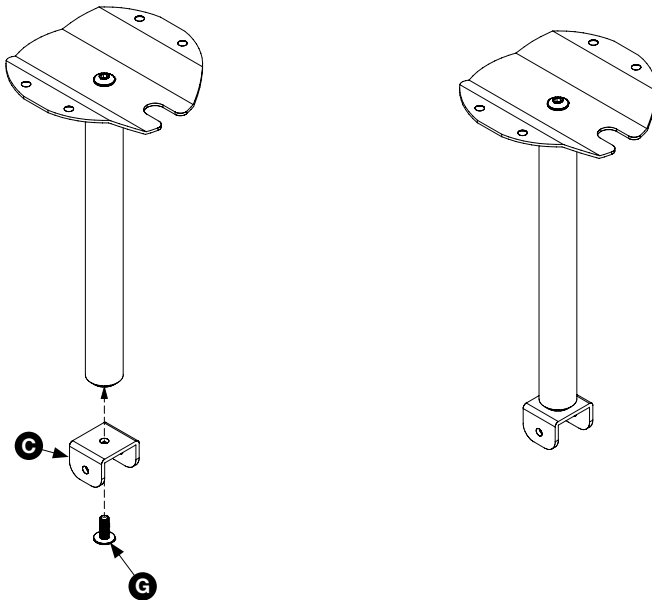
Washers
12x4x1,5

2.2 ASSEMBLY

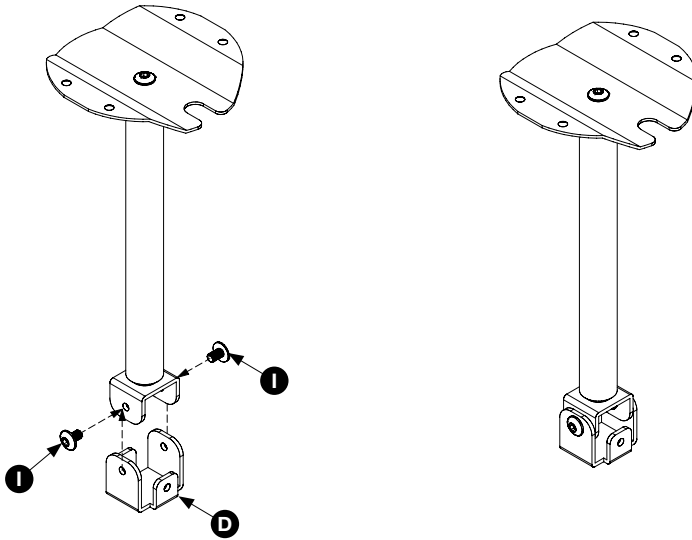
STEP 01



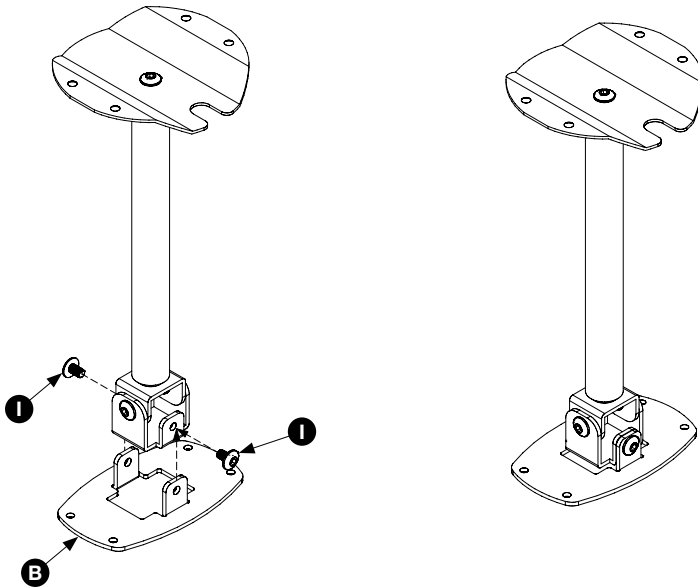
STEP 02



STEP 03

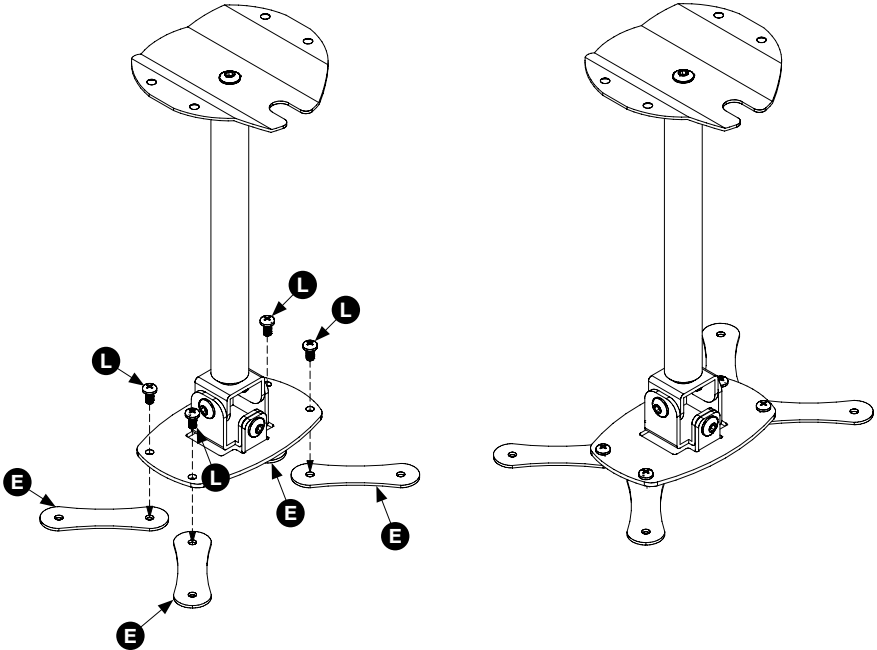


STEP 04

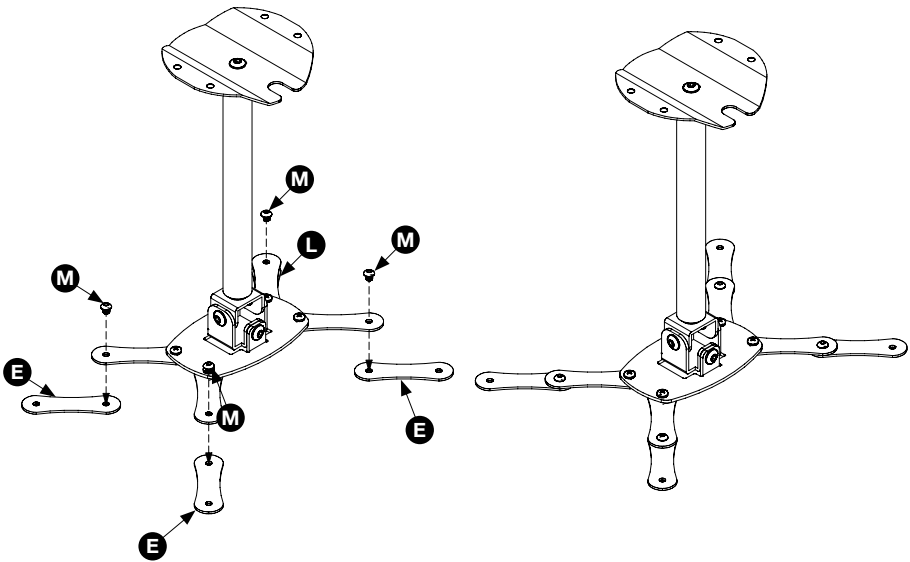


RELEASE ER 2020_02_20

STEP 05

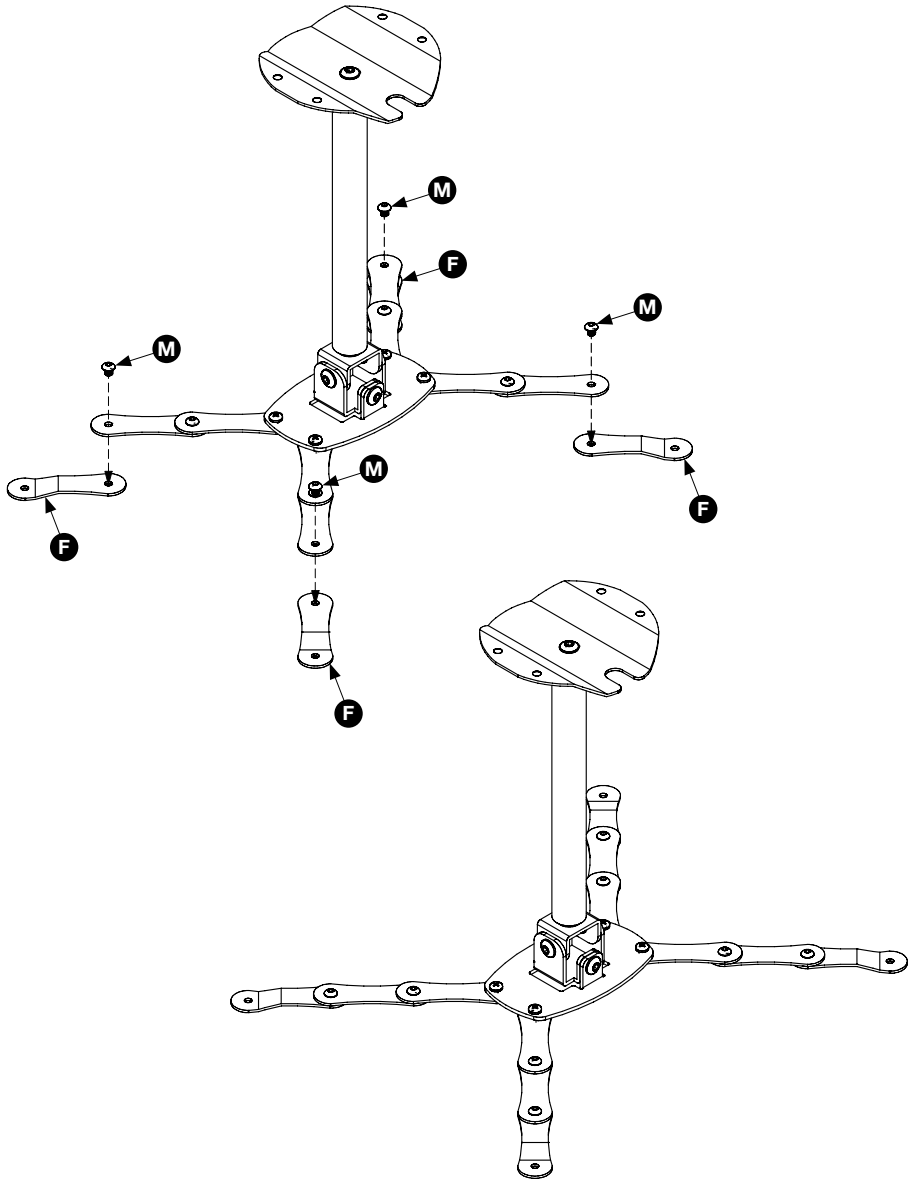


STEP 06



RELEASE ER 2020_02_20

STEP 07



WARNING:

- 1) Before installing the bracket, check that you have assembled it correctly according to all the mentioned steps.
- 2) Check that the ceiling is suitable to fix and support the weight of the bracket and the projector.
- 3) Maximum projector weight you can install with Projector Arm B-7 is 15 Kg.
- 4) In case some of the parts inside the packaging are missing, **do not use alternative components** in order to fix the projector but contact immediately your dealer.
- 5) In case the instructions are not clear or if you have any doubt how to assemble the bracket, please contact your dealer.
- 6) After the installation please keep all parts not used for a next installation.

3.0 MOUNTING THE PROJECTOR

3.1 MOUNTING EXAMPLE

Once fixed the projector's fixing points, position the mounting plates "E" and "F" on the projector's chassis so that the centre of the projector arm will be the same of the projector's centre of gravity.

After this, fix tightly the screws "L" and "M" to the mounting plates and fix the projector to the spider system using the appropriate screws for your projector.

