

FALSE CEILING KIT FOR MAJOR PRO-C INSTALLATION MANUAL

Before installing the Major Pro-C screen with False Ceiling Trim Kit, please read the following instructions carefully:



- ***The screen with false ceiling trim kit must be used INDOORS ONLY.***
- ***It is forbidden to stay under the screen with trim kit.***
- ***The screen with false ceiling trim kit must be installed by qualified personnel only.***
- ***At least every 5 months, please check that all bolts are in good conditions and well tightened.***

Before installing the screen, please read the following instructions carefully. We would recommend that these instructions are stored safely for future reference.

When opening the packaging of the screen, please DO NOT USE CUTTERS or OTHER SHARP TOOLS that can damage the screen inside. During opening the packaging and during installation, it is recommended to use work gloves.

Depending on the screen weight, it has to be handled by at least two or three persons taking care to the following ratio KG/PERSON: MALE 25 kg. – FEMALE 15 kg.

The manufacturer does not take responsibility for any damage to property or personal injury if the screen is used outside of recommended specifications or in case of incorrect/poor quality installation.

WARRANTY CONDITIONS

This projection screen is guaranteed 2 years from the purchase date for manufacturing defects and 5 years on motor defects.

Responsibility is limited to repairing or substitution of the defected components and without any other charge at our expense.

Warranty is officially voided if the screen has been dismantled or it is returned with collision damage or defective due to incorrect installation. Repairs must be carried out by an Approved ScreenInt Certified Engineer.

Warranty is officially voided if (all the following cases are including but not limited):

- 1) defects not due to deficiencies in the material or workmanship;
- 2) amendments, alterations, repairs or disassembling of the Product not previously authorized in writing by Screenint;
- 3) installation, use or maintenance of the Product not in compliance with Screenint 's instructions as set forth in this Installation Manual and/or in any other technical documentation supplied together with the Product;
- 4) bad and/or improper and/or not in compliance installation, maintenance, negligence, improper use;
- 5) use of non-original spare parts or not authorized in writing by Screenint;
- 6) normal wear and tear;
- 1) the motor is removed / dismantled;
- 2) the screen has been damaged in transit;
- 3) the instructions regarding the electrical connections have not been followed;
- 4) the products have to be installed following the electric regulations (CEI) and the other local specific laws;
- 5) in the installation are used electric interfaces that does not allow the correct time lapse between up and down operation (complete cut down of electric power on both phases for one second)
- 6) electrical accessories have been used that are incompatible with the screen motor causing damage to its internal components;
- 7) the motor end stops have been modified without the authorisation of the factory;
- 8) the sticker regarding the serial number of the product has been altered, deleted, removed or tampered.

DO NOT install this screen nearby or over heating or air conditioning systems, because PVC is a plastic material which dilates and remains damaged if it is subjected to heat and/or cool air.

DO NOT install this screen either facing direct sun light or blocking a window as PVC could be damaged and make waves for the explanations given above.

The PVC cloth is very sensitive to temperature range. We advise to mount the screen in environments with an ambient temperature in the range of 20°-25°C.

We advise you to WAIT 3 HOURS for the SCREEN to ACCLIMATISE BEFORE MOUNTING AND ROLLING DOWN the screen after delivery, especially if screen arrives from a cold temperature. In case at the first roll down, the screen shows waves, check temperature of the room. Roll up the screen again and leave it closed for 24 hrs at ambient temperature of 20-25°C, in order to improve flatness.

THE SCREEN HAS TO BE STOCKED AND TRANSPORTED ALWAYS IN HORIZONTAL POSITION, otherwise there could appear waves on the projection cloth. DO NOT WASH the projection surface with alcohol or solvent nor with commercial cleaners. Every now and then dust the surface with a dry and clean duster.

Please, be very careful because any kind of stain on projection surfaces is inerascable.

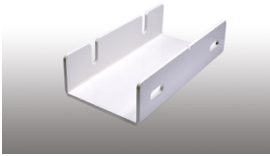
The screen has to be used showing the total projection sizes indicated on the packaging; therefore it is NOT allowed to adjust the end stops to restrict the total drop or extend it. Restricting the total drop of the screen is likely to cause your screen surface to lose its flatness.

When the screen is not completely rolled down (as by factory setting), flatness of the cloth is NOT guaranteed and therefore not covered by warranty.

DO NOT HANG TO THE SCREEN and DO NOT HANG ANY OBJECT to it. Please take care that children DO NOT PLAY with the screen as they can get severely injured.

The manufacturer will not accept returns of screens for repair without manufacturer's authorization (RMA number) and without a suitable packaging.

MAJOR PRO-C WITH FALSE CEILING TRIM KIT COMPONENTS provided in the packaging:



For Major Pro-C 5 mt.: 6 mounting brackets
 For Major Pro-C 6 mt.: 6 mounting brackets
 For Major Pro-C 7 mt.: 8 mounting brackets



For Major Pro-C 5 mt.: 6 metal threaded rods 100 cm.long x M8
 For Major Pro-C 6 mt.: 6 metal threaded rods 100 cm.long x M8
 For Major Pro-C 7 mt.: 8 metal threaded rods 100 cm.long x M8



For Major Pro-C 5 mt.: 6 hexagonal-head bolts 8x18 mm.(diameter x lenght)
 For Major Pro-C 6 mt.: 6 hexagonal-head bolts 8x18 mm. (diameter x lenght)
 For Major Pro-C 7 mt.: 8 hexagonal-head bolts 8x18 mm. (diameter x lenght)



For Major Pro-C 5 mt.: 30 washers M8
 For Major Pro-C 6 mt.: 30 washers M8
 For Major Pro-C 7 mt.: 40 washers M8



For Major Pro-C 5 mt.: 6 nuts
 For Major Pro-C 6 mt.: 6 nuts
 For Major Pro-C 7 mt.: 8 nuts



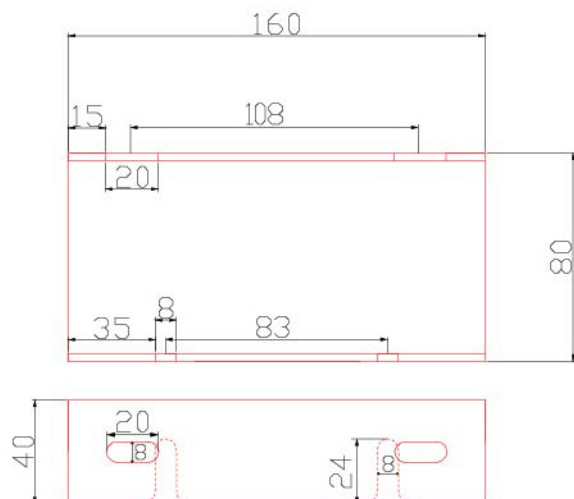
For Major Pro-C 5 mt.: 24 nuts M8
 For Major Pro-C 6 mt.: 24 nuts M8
 For Major Pro-C 7 mt.: 32 nuts M8

01 on/off switcher
 01 installation manual

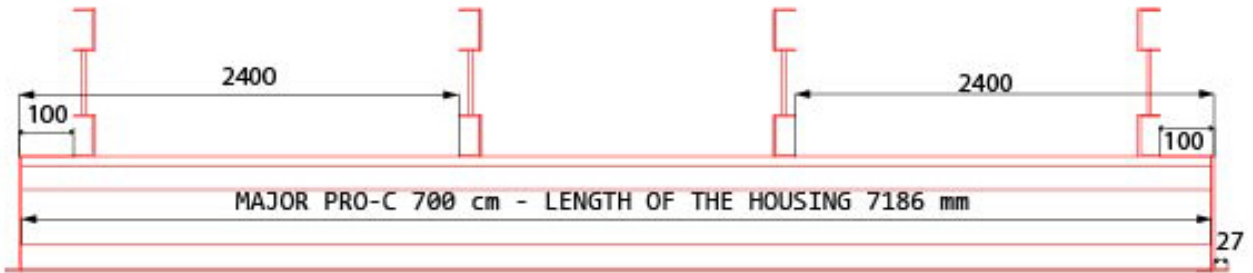
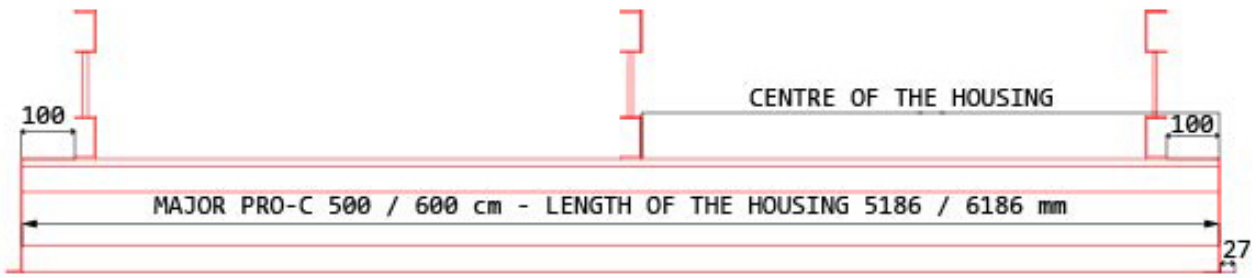
**NOTE: INSTALLATION OF THIS TRIM KIT HAS TO BE MADE IN APPLICATIONS WHERE THE FALSE CEILING WILL BE COMPLETED AFTER INSTALLATION OF THE SCREEN WITH ITS TRIM KIT.
 THIS TRIM KIT IS ONLY SUITABLE TO BE INSTALLED INTO FALSE CEILINGS WHERE THE INSTALLERS HAVE THE POSSIBILITY TO ACCESS ABOVE THE FALSE CEILING.
 THE PRODUCT HAS TO BE INSTALLED AND USED CONFORM TO THE LAWS IN FORCE WITHIN THE COUNTRY WHERE THE PRODUCT IS USED.
 DURING INSTALLATION, PLEASE TAKE CARE TO USE SECURITY BELTS IN ORDER TO SECURE THE SCREEN HOUSING.**

SCREEN MODEL	LENGTH OF THE HOLE
MAJOR PRO-C without borders	Width of the viewing area + 22 cm.
MAJOR PRO-C with borders	Width of the viewing area + 32 cm.
MAJOR PRO-C TENSIONED	Width of the viewing area + 72 cm.

WIDTH OF THE HOLE: 22 CM.

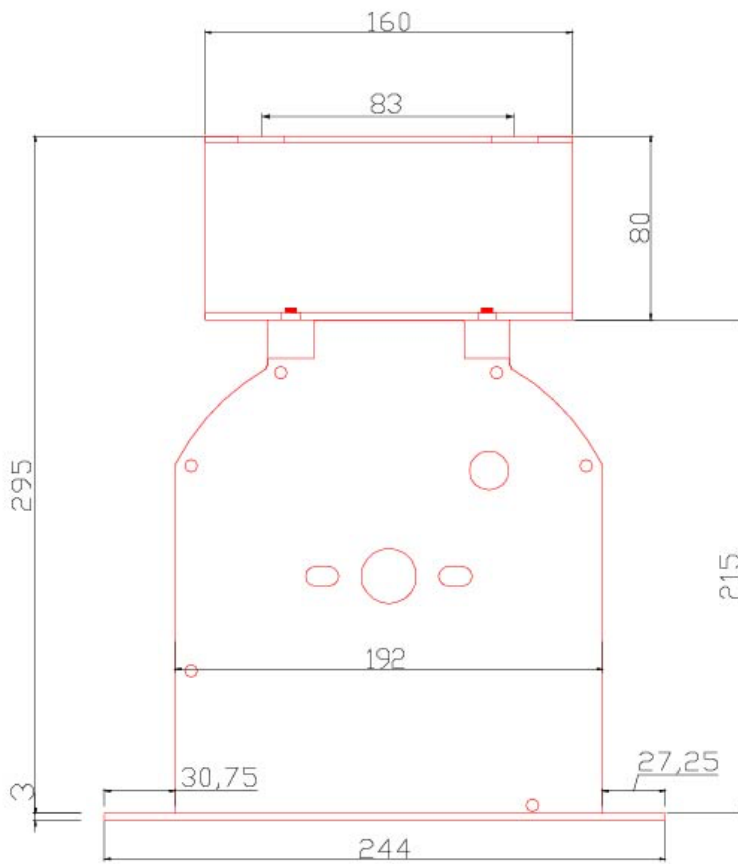


TECHNICAL DRAWING MOUNTING BRACKET



DISTANCE OF THE MOUNTING BRACKETS

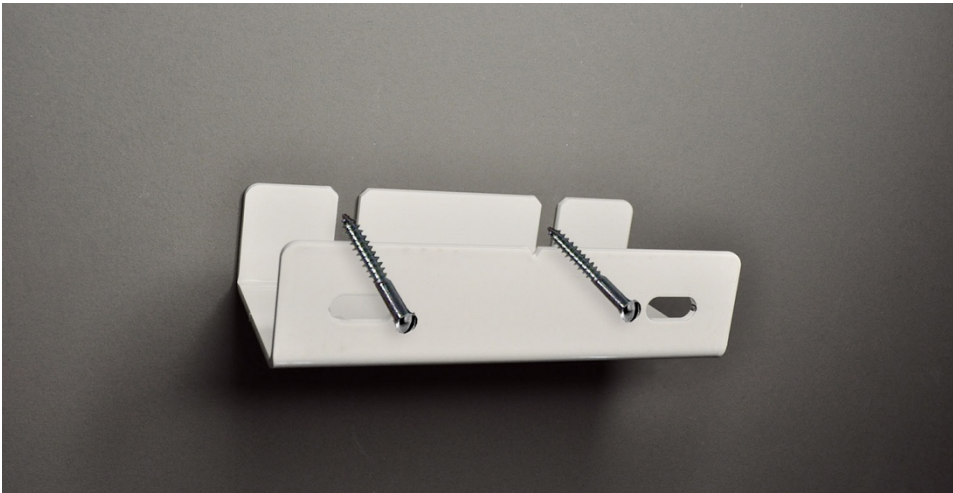
Measures expressed in millimetres



Measures expressed in millimetres

SIDE VIEW OF THE HOUSING WITH MOUNTING

STEP 1) BRACKETS CEILING MOUNTING



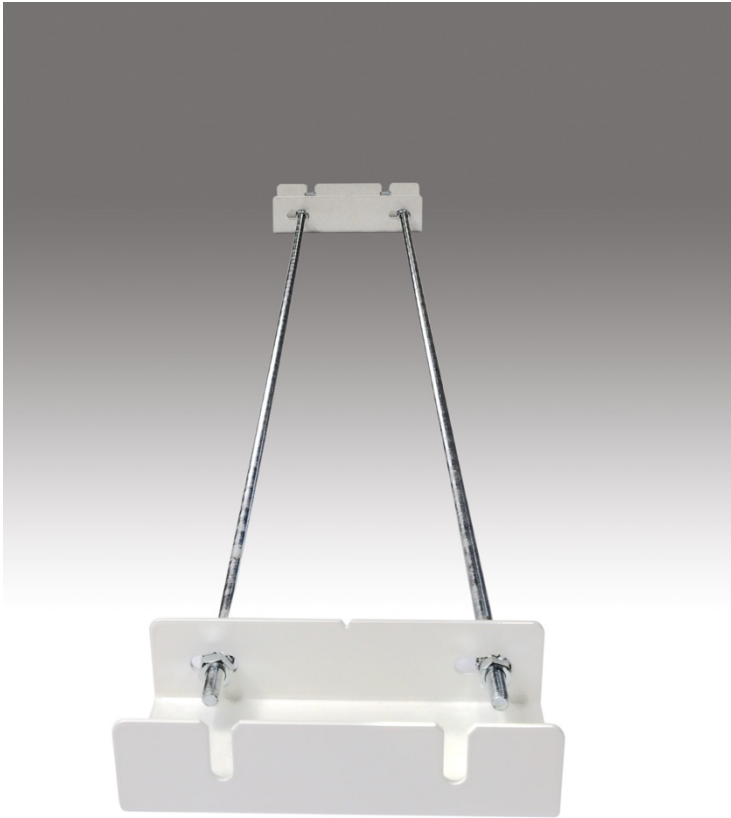
Fix the mounting brackets to the ceiling in the right position.



Cut the metal threaded rods at the desired length, taking care that the metal rod has to go inside the top and the bottom mounting bracket, at least 3 cm. Fix the two metal rods to the mounting brackets already fixed to the ceiling, taking care that at least 3 cm. of metal rod goes inside the bracket. Fix each metal rod tightly with two washers and two nuts, as shown in the picture below.

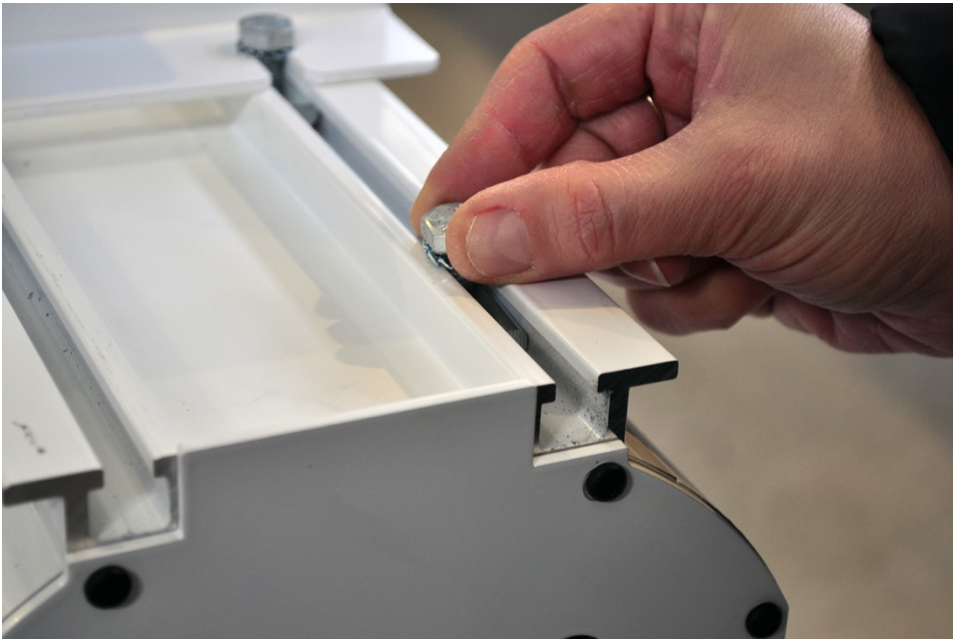


Repeat this operation for all mounting brackets.



Fix the lower bracket to the end of the metal rods taking care that at least 3 cm. of metal rod goes inside the bracket.
Fix each metal rod tightly with two washers and two nuts M8, as shown in the picture above.

Repeat this operation for all mounting brackets.



At this point, insert in the housing splines, for each mounting bracket two sets of bolt, washer and nut.



Lift up the housing with bezel and position it under the lower mounting brackets.

Insert the two sets of bolt, washer and nut into the splines of the mounting brackets and fix them tighten.

Repeat this operation for each bracket.

ELECTRIC CONNECTION

Connection of the power supply must be carried out by qualified personnel only, using the scheme showed on the drawing below. Pay attention to wires colour and fix the switcher near the screen because the scrolling up or down of the projection surface should be visible to the operator!!

NEVER CONNECT MORE THAN ONE SCREEN MOTOR TO THE SAME SWITCHER. Use the supplied switcher only.

IN CASE OF MAINTENANCE, UNPLUG THE POWER SUPPLY.

In case the screen is controlled via optional interfaces:

1- the optional interfaces has to be supplied by ScreenInt or by a well-known tubular motor manufacturer

2- take care that the control system is programmed so there is no tension on the interface output for at least 1 sec. during switching between rolling up and rolling down operations and viceversa.

