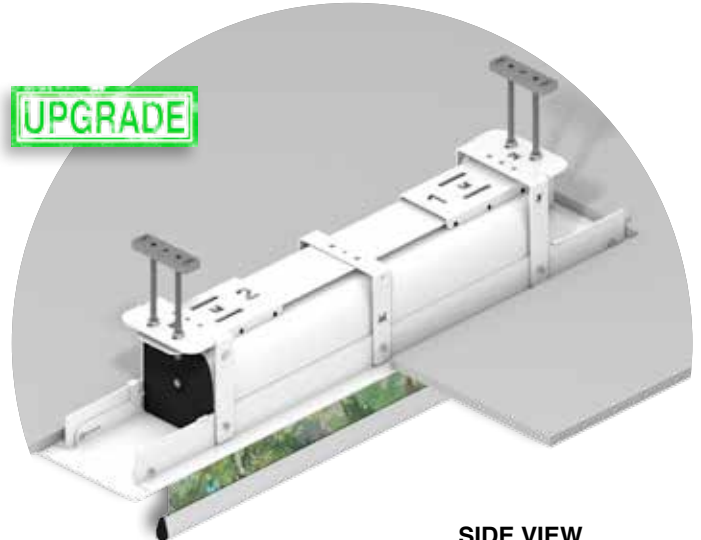
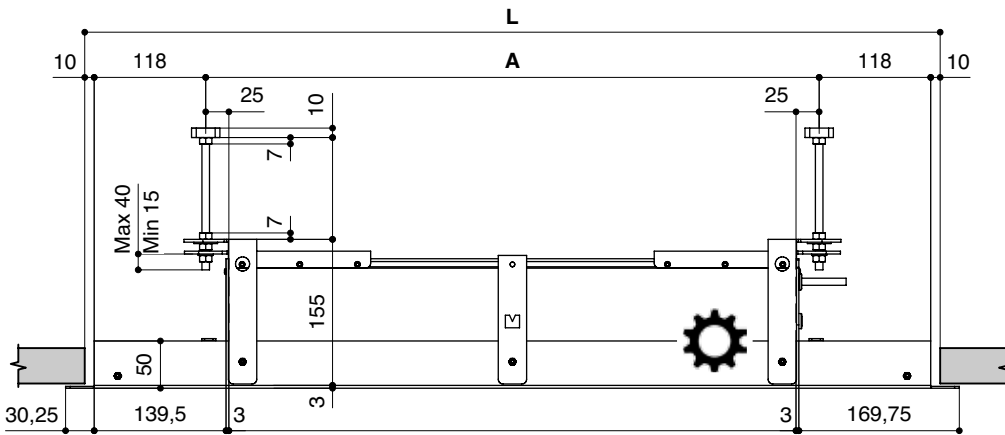


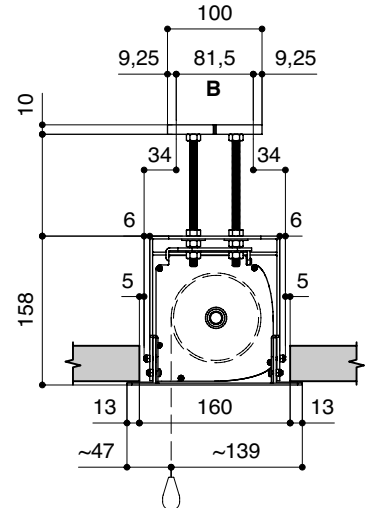
The **FALSE CEILING TRIM KIT for MAJOR** is a particular accessory that enables to hide the housing inside a false ceiling. This kit is made from aluminum/steel entirely powder coated in white colour (RAL 9010). It is an innovative and essential accessory for video-projection as it is totally accessible also when it is installed inside the false ceiling. Therefore, if there is the need to make ordinary or extraordinary maintenance to the screen, it can be easily pulled-out whenever it is necessary. A unique feature is that it is **possible to mount the FALSE CEILING TRIM KIT into the false ceiling first and afterwards install the screen housing**. This is very useful mainly in dusty environments like construction sites. This trim kit can be fixed both in panel-type false ceilings and in fixed-type false ceilings, with a maximum height of 110 cm and **minimum height of 17,5 cm**. The trim kit is available for Major screens **from 300 cm. up to 450 cm.** of width and also for bespoke screen sizes.



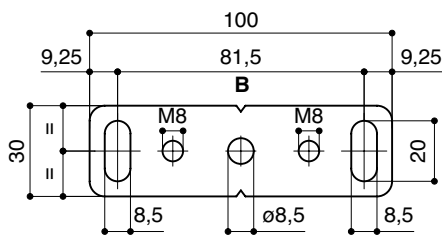
**FRONT VIEW
TRIM KIT MAJOR**



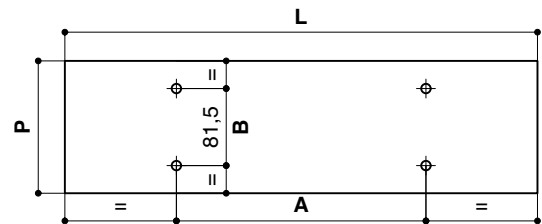
**SIDE VIEW
TRIM KIT MAJOR**



CEILING MOUNTING PLATE



**HOLE IN FALSE CEILING
AND FIXING POINTS INTO CEILING**



FIXING POINTS DIMENSIONS OF CEILING MOUNTING PLATE

	A (mm)	B (mm)
MAJOR PROFESSIONAL (Without borders)	Width Of Viewing Area + 130	81,5
MAJOR HOME CINEMA (Width side borders of 50 mm)	Width Of Viewing Area + 230	81,5
MAJOR TENSIONED	Width Of Viewing Area + 422	81,5

DIMENSIONS HOLE IN FALSE CEILING

	L (mm)	P (mm)
MAJOR PROFESSIONAL (Without borders)	Width Of Viewing Area + 385	160
MAJOR HOME CINEMA (Width side borders of 50 mm)	Width Of Viewing Area + 485	160
MAJOR TENSIONED	Width Of Viewing Area + 677	160

Warranty: 24 months

