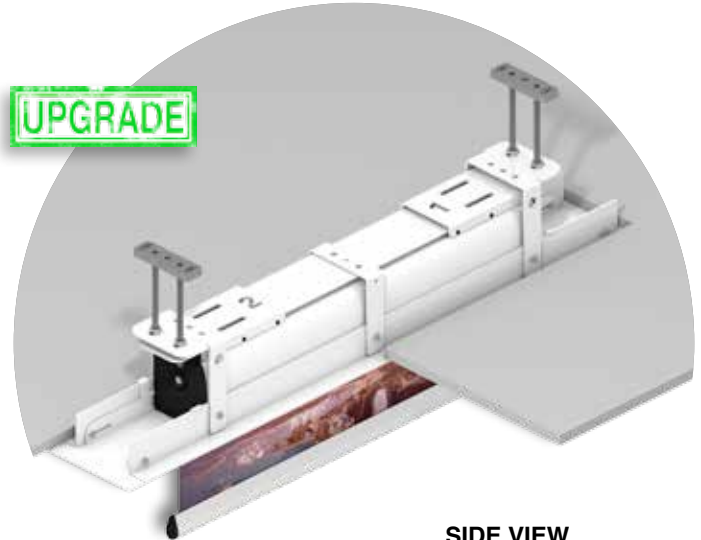
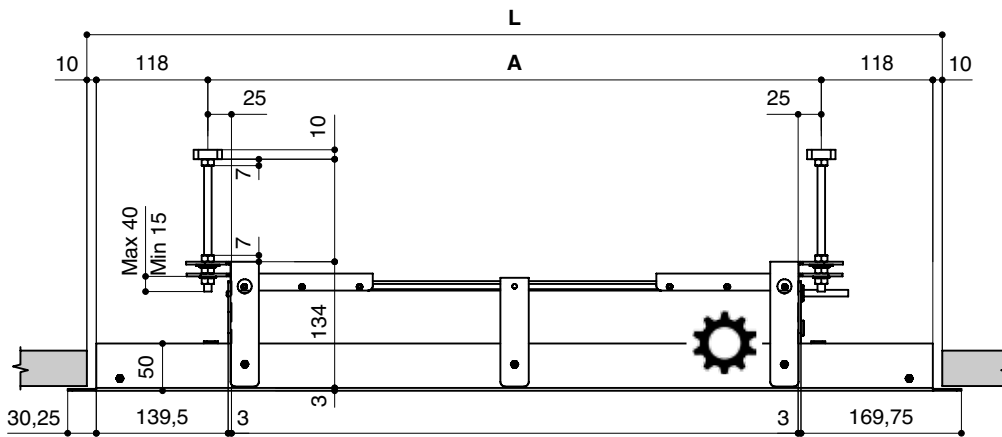


The **FALSE CEILING TRIM KIT** for **COMPACT** is a particular accessory that enables to hide the housing inside a false ceiling. This kit is made from aluminum/steel entirely powder coated in white colour (RAL 9010). It is an innovative and essential accessory for video-projection as it is totally accessible when it is installed inside the false ceiling. Therefore, if there is the need to make ordinary or extraordinary maintenance to the screen, it can be easily pulled-out whenever it is necessary. A unique feature is that it is **possible to mount the FALSE CEILING TRIM KIT into the false ceiling first and afterwards install the screen housing**. This is very useful mainly in dusty environments like construction sites.

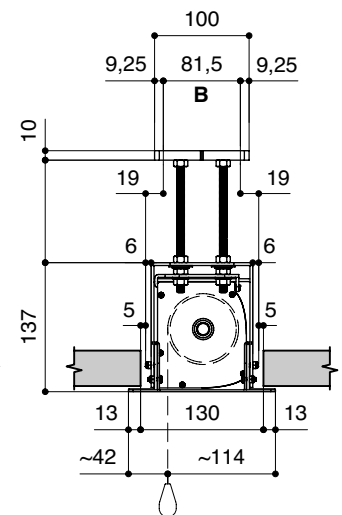
This trim kit can be fixed both in panel-type false ceilings and in fixed-type false ceilings, with a maximum height of 110 cm and **minimum height of 15,5 cm**. The trim kit is available for Compact screens from **160 cm. up to 300 cm.** of width and also for bespoke screen sizes.



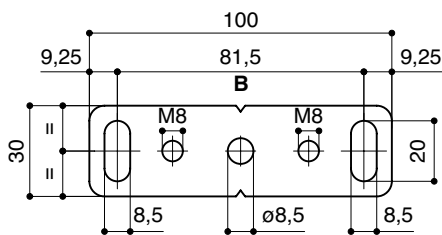
FRONT VIEW
TRIM KIT COMPACT



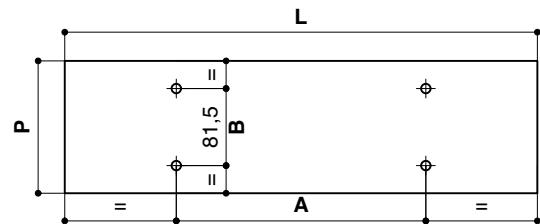
SIDE VIEW
TRIM KIT COMPACT



CEILING MOUNTING PLATE



HOLE IN FALSE CEILING
AND FIXING POINTS INTO CEILING



The measures in the drawings are expressed in millimetres.



FIXING POINTS DIMENSIONS OF CEILING MOUNTING PLATE

	A (mm)	B (mm)
COMPACT PROFESSIONAL (Without borders)	Width Of Viewing Area + 115	81,5
COMPACT HOME CINEMA (Width side borders of 50 mm)	Width Of Viewing Area + 215	81,5
COMPACT TENSIONED	Width Of Viewing Area + 405	81,5

DIMENSIONS HOLE IN FALSE CEILING

	L (mm)	P (mm)
COMPACT PROFESSIONAL (Without borders)	Width Of Viewing Area + 370	130
COMPACT HOME CINEMA (Width side borders of 50 mm)	Width Of Viewing Area + 470	130
COMPACT TENSIONED	Width Of Viewing Area + 660	130

Warranty: 24 months

