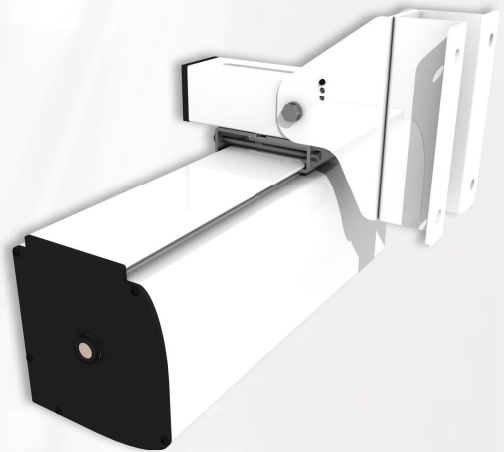
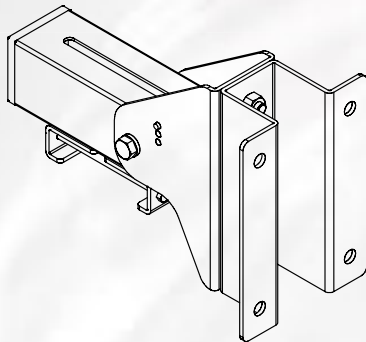


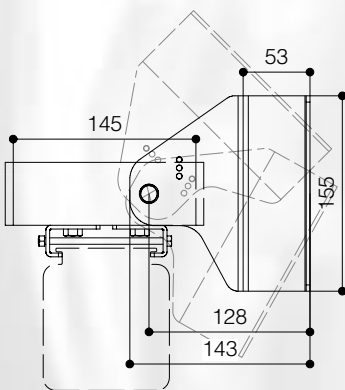
SLOPING CEILING BRACKETS FOR SCREEN WINCH SYSTEM

SLOPING CEILING BRACKETS for the Screen Winch System have been developed in order to mount the screen winch housing onto a wall or a sloping ceiling. The brackets can be tilted at any desired angle to adapt them to the sloping ceiling.

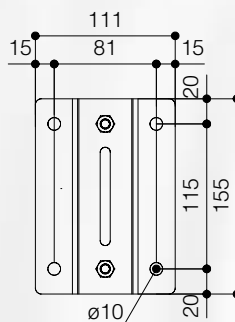
If the brackets are tilted at 90°, they can be used for wall mounting.



Side view



Front view



SLOPING CEILING BRACKET

EUROSCREEN S.r.l.

Via Stiria, 45/16 - 33100 Udine - Italy

Tel. +39 0432 522755

info@screenint.com

www.screenint.com



Euroscreen S.r.l. has reserved the right to modify its products at any time without obligation of notice, in order to improve their performances.