

INSTRUCTION MANUAL

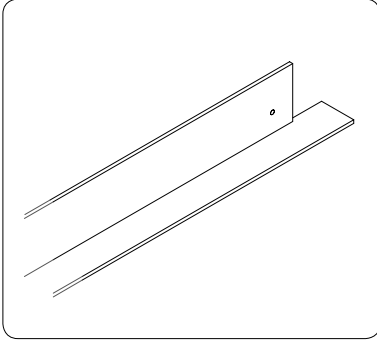
FALSE CEILING TRIM KIT

COMPACT - ELLIPSE - MAJOR

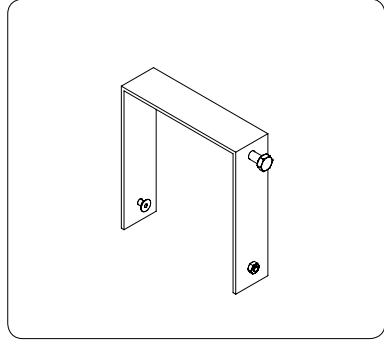


SUPPLIED EQUIPMENT LIST COMPACT - ELLIPSE

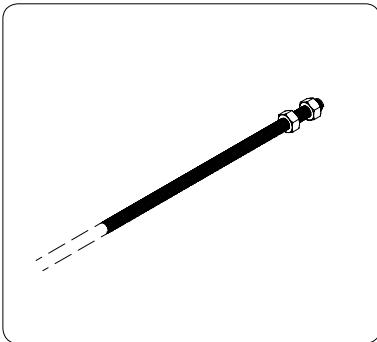
A pcs. 02
white long L form
pre-punched



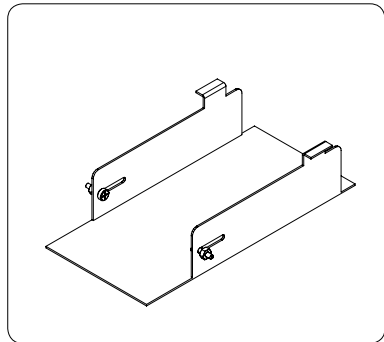
D pcs. 03
white "U" form
supports



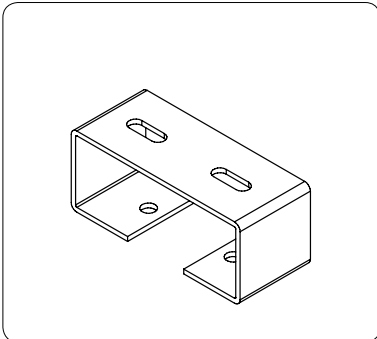
B pcs. 04
threaded rods
M8x100 cm



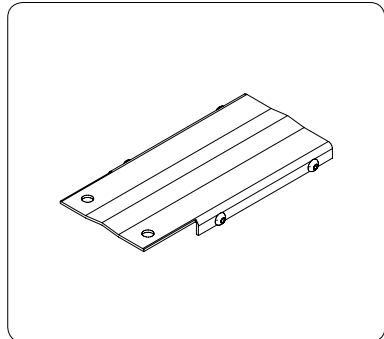
E pcs. 02
white side
doors



C pcs. 02
ceiling mounting
brackets

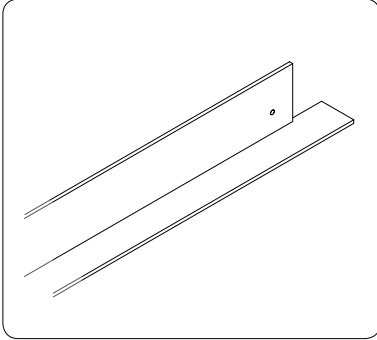


F pcs. 02
white mounting
plates

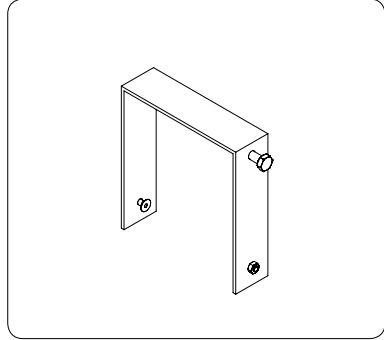


SUPPLIED EQUIPMENT LIST MAJOR

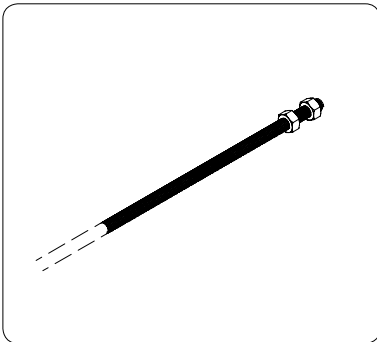
- A** pcs. 02
white long L form
pre-punched



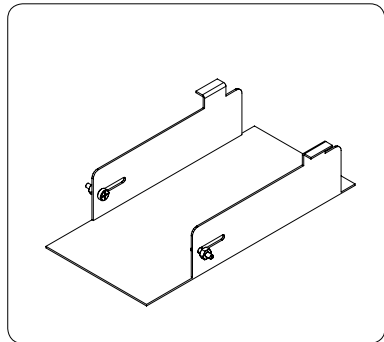
- D** pcs. 03
white "U" form
supports



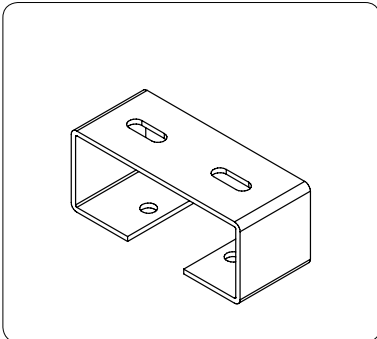
- B** pcs. 04
threaded rods
M8x100 cm



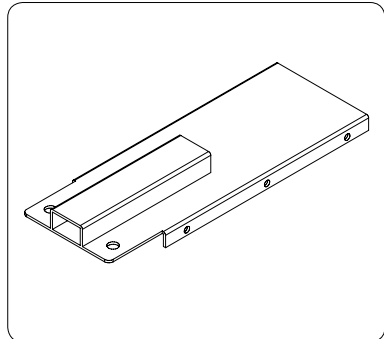
- E** pcs. 02
white side
doors



- C** pcs. 02
ceiling mounting
brackets



- F** pcs. 02
white mounting
plates



WARNING



Before starting to mount the trim kit, you have to cut the rectangular hole in the false ceiling in order to position the screen and the trim kit and drill the holes in the concrete ceiling above for fixing the ceiling mounting brackets and the whole trim kit.

Depending on the model of trim kit bought, please follow the instructions, paying attention to the position of the screen's dowel bar in comparison with the false ceiling.

If **L** is the width of the viewing area, in order to cut the hole in the false ceiling, proceed according to chart "**STEP 1**".

Once, the hole in the false ceiling has been cut, in order to drill the holes to fix the ceiling brackets (C) in the correct position, follow the instructions in chart "**STEP 2**".

STEP 1 – False Ceiling Hole – Fig. 1

SCREEN MODEL	WIDTH A (cm)	DEPTH B (cm)
COMPACT	$L + 41$	13
COMPACT+3BB/4BB O H.C.	$L + 51$	13
COMPACT TENSIONED	$L + 70$	13
ELLIPSE	$L + 41$	14,5
ELLIPSE+3BB/4BB O H.C.	$L + 51$	14,5
ELLIPSE TENSIONED	$L + 70$	14,5
MAJOR	$L + 43$	15,5
MAJOR+3BB/4BB O H.C.	$L + 53$	15,5
MAJOR TENSIONED	$L + 72$	15,5

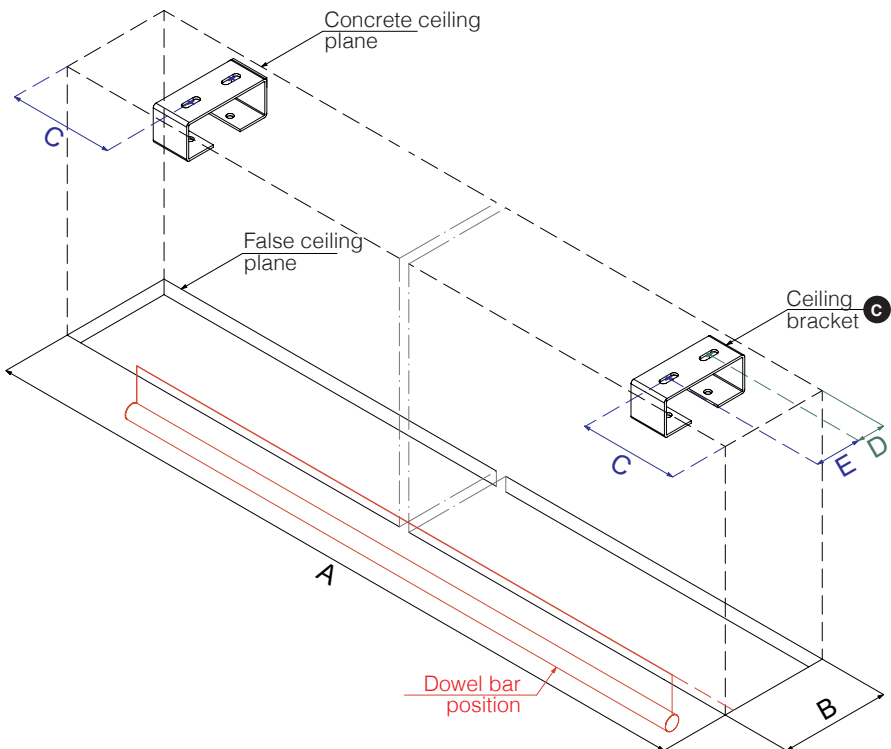


Fig.1

STEP 2 – Position Ceiling brackets – Fig. 2

C (cm)	D (cm)	E (cm)	F (cm)
13,5	3,5	6	11,7
13,5	3,5	6	11,7
13,5	3,5	6	11,7
13,5	4,2	6	11,1
13,5	4,2	6	11,1
13,5	4,2	6	11,1
13,5	5,7	6	13,7
13,5	5,7	6	13,7
13,5	5,7	6	13,7

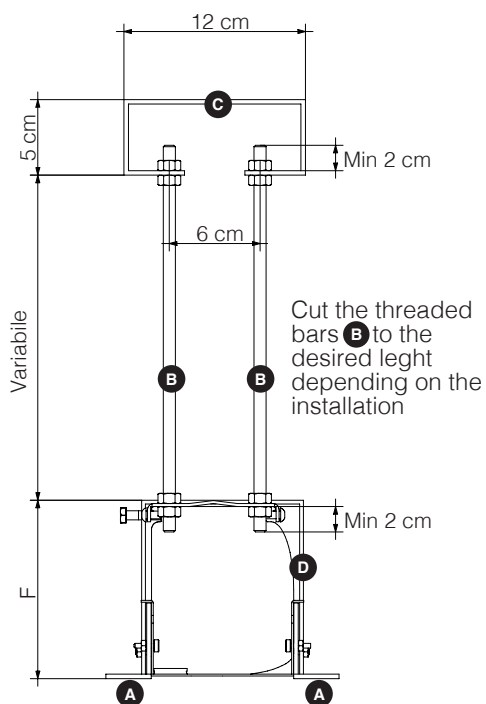
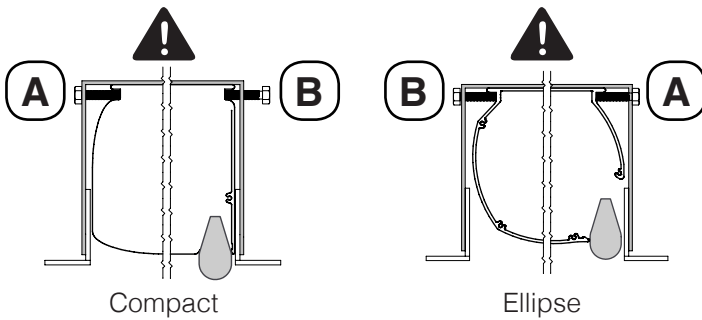
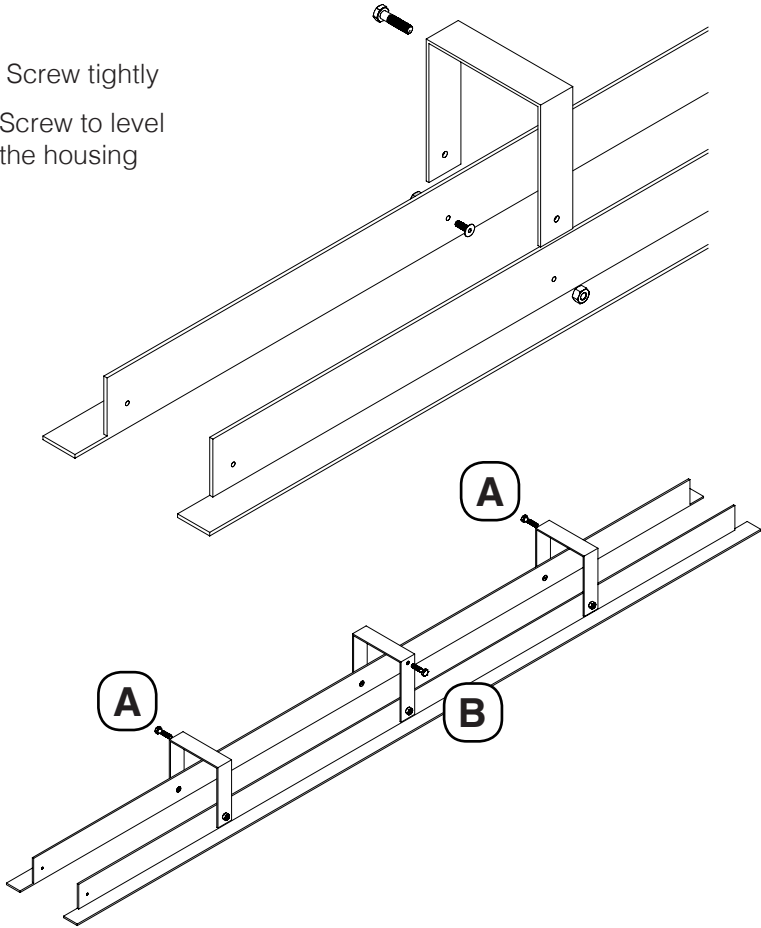


Fig.2

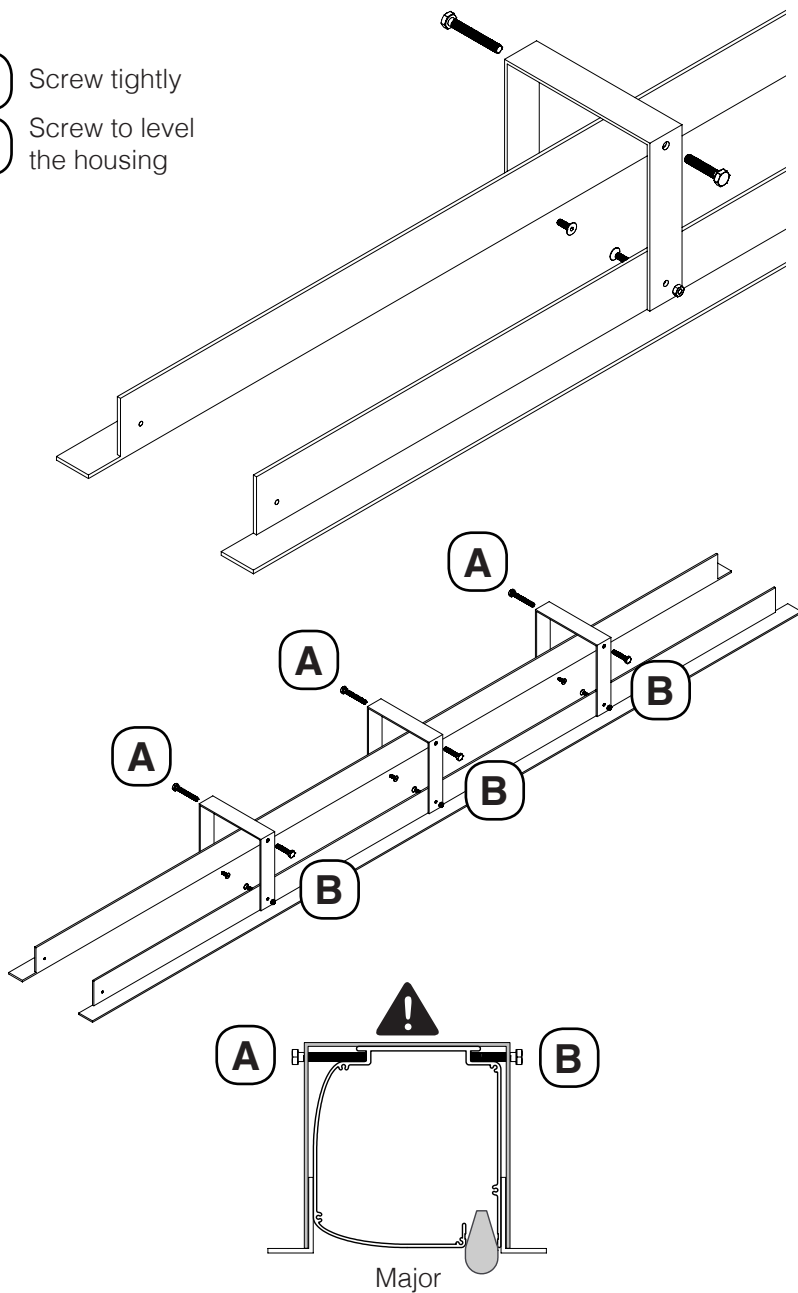
STEP 3 – COMPACT – ELLIPSE

- A** Screw tightly
- B** Screw to level the housing

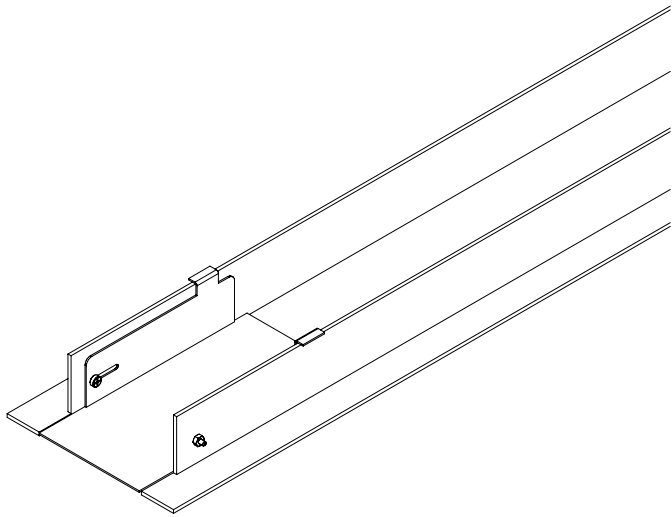
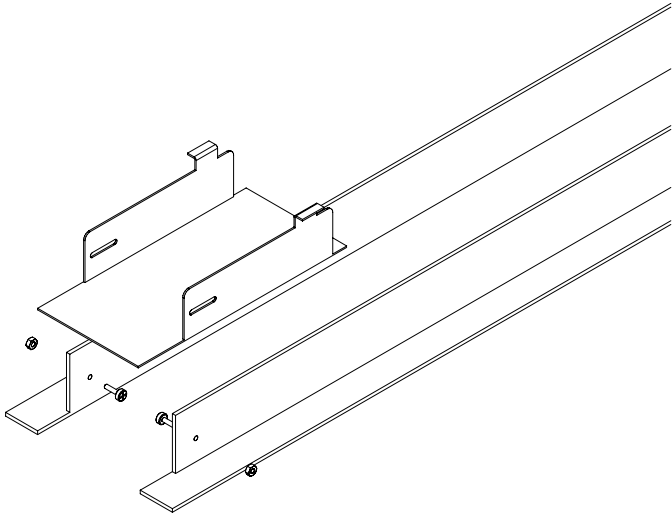


STEP 3 – COMPACT – ELLIPSE

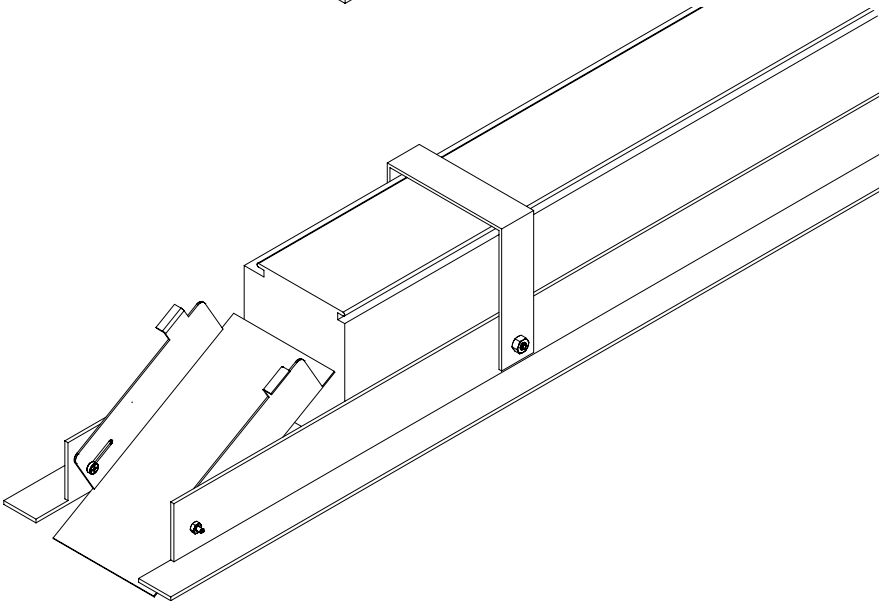
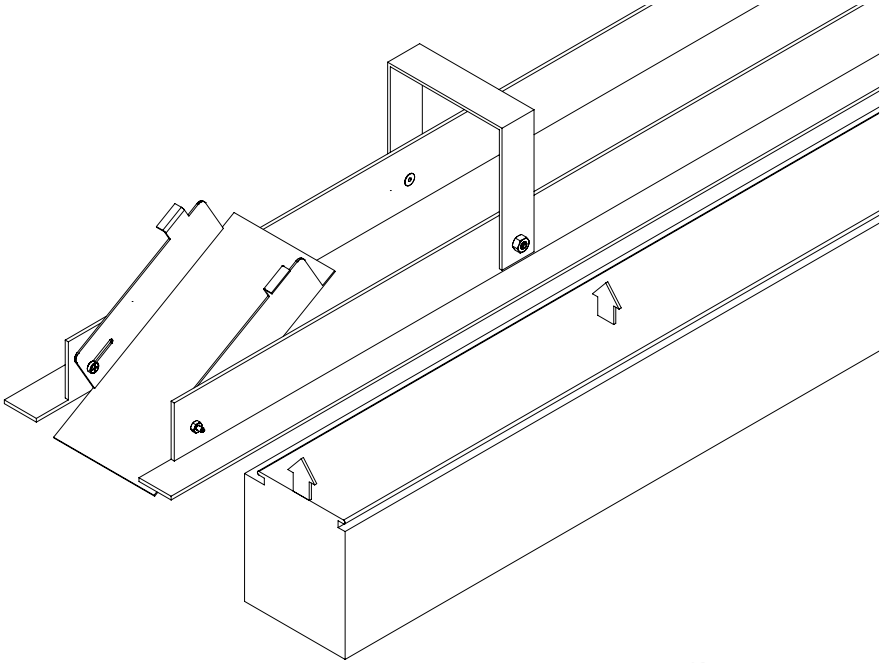
- A** Screw tightly
- B** Screw to level the housing



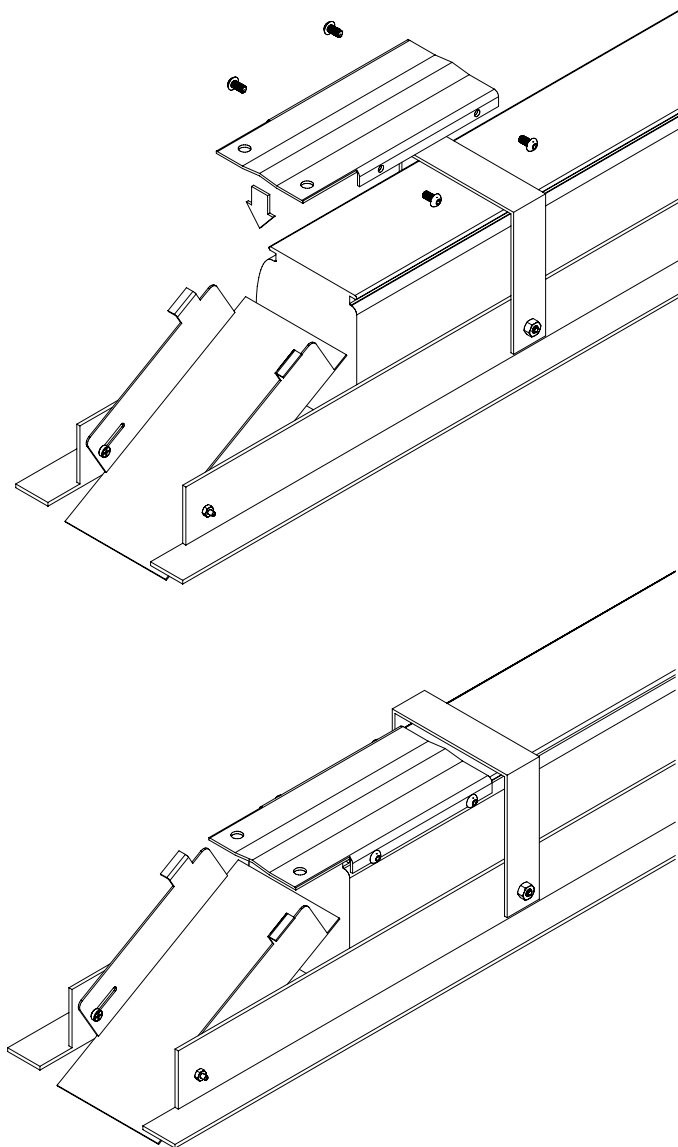
STEP 4



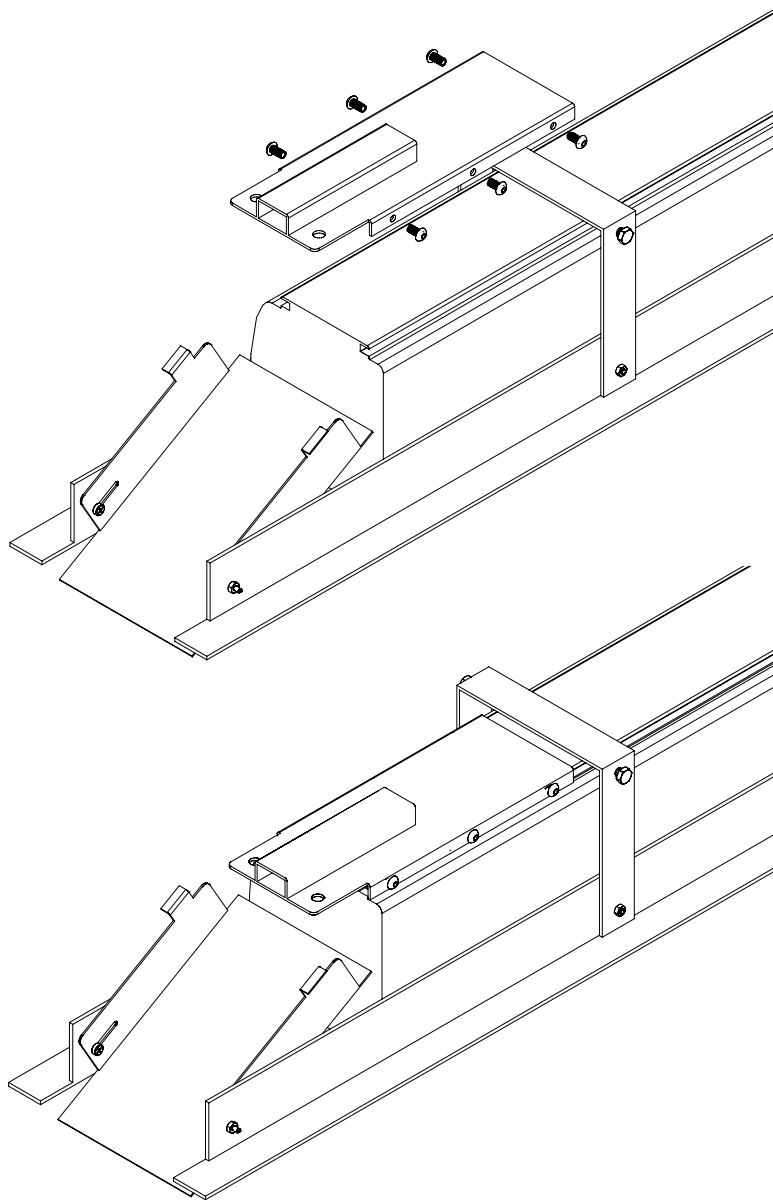
STEP 5



STEP 6 - COMPACT - ELLIPSE



STEP 6 - MAJOR



STEP 7

